

AIRCRAFT APPLICATION SHEET

61/793 HOIST KIT

AIRBUS A320 MLG ACTUATOR/SIDE STAY



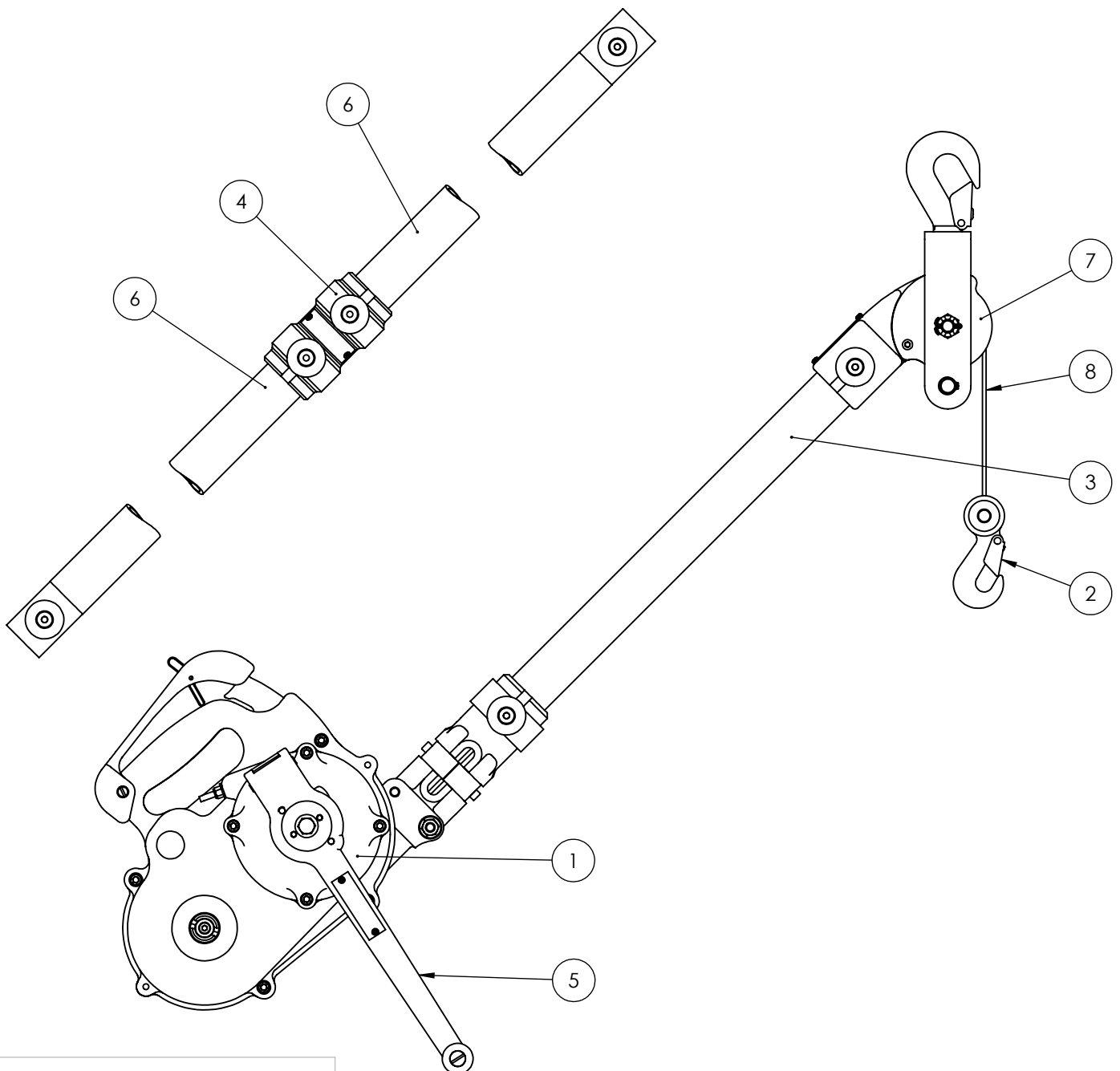
World class lifting and handling solutions

Didsbury Engineering Co Ltd

Telephone: +44 (0)161 486 2200
 Facsimile: +44 (0)161 486 2211
 Email: sales@didsbury.com
 Web: www.didsbury.com

ITEM NO.	PART No.	DESCRIPTION	QTY
1	41/5	41 SERIES (127KG) WINDING MECHANISM	1
2	41/76	DETACHABLE HOOK ASSEMBLY	1
3	41/106	457mm EXTENSION TUBE	1
4	41-110	TUBE COUPLING ASSY	1
5	41/163	9" WINDING HANDLE	1
6	41/434	1067mm EXTENSION TUBE	2
7	41/555	TOP SHEATH ASSEMBLY	1
8	41/32	41 SERIES HOIST CABLE (3mm) (REF ONLY)	1

REV 3 - TOP SHEATH 41/358 REPLACED BY 41/555 WITH LARGER HOOK GAPE



HEIGHT OF LIFT: 6840mm
SWL: 127kg
WEIGHT: 16kg

HEIGHT OF LIFT
 5160mm WHEN USING 2 X 1067mm EXTENSION TUBES
 6840mm WHEN USING 1 X 457mm EXTENSION TUBE

REVISION. 3
DATE: 24/08/2021