

AIRCRAFT APPLICATION SHEET

92/349 COMPOSITE HOIST KIT

didsbury

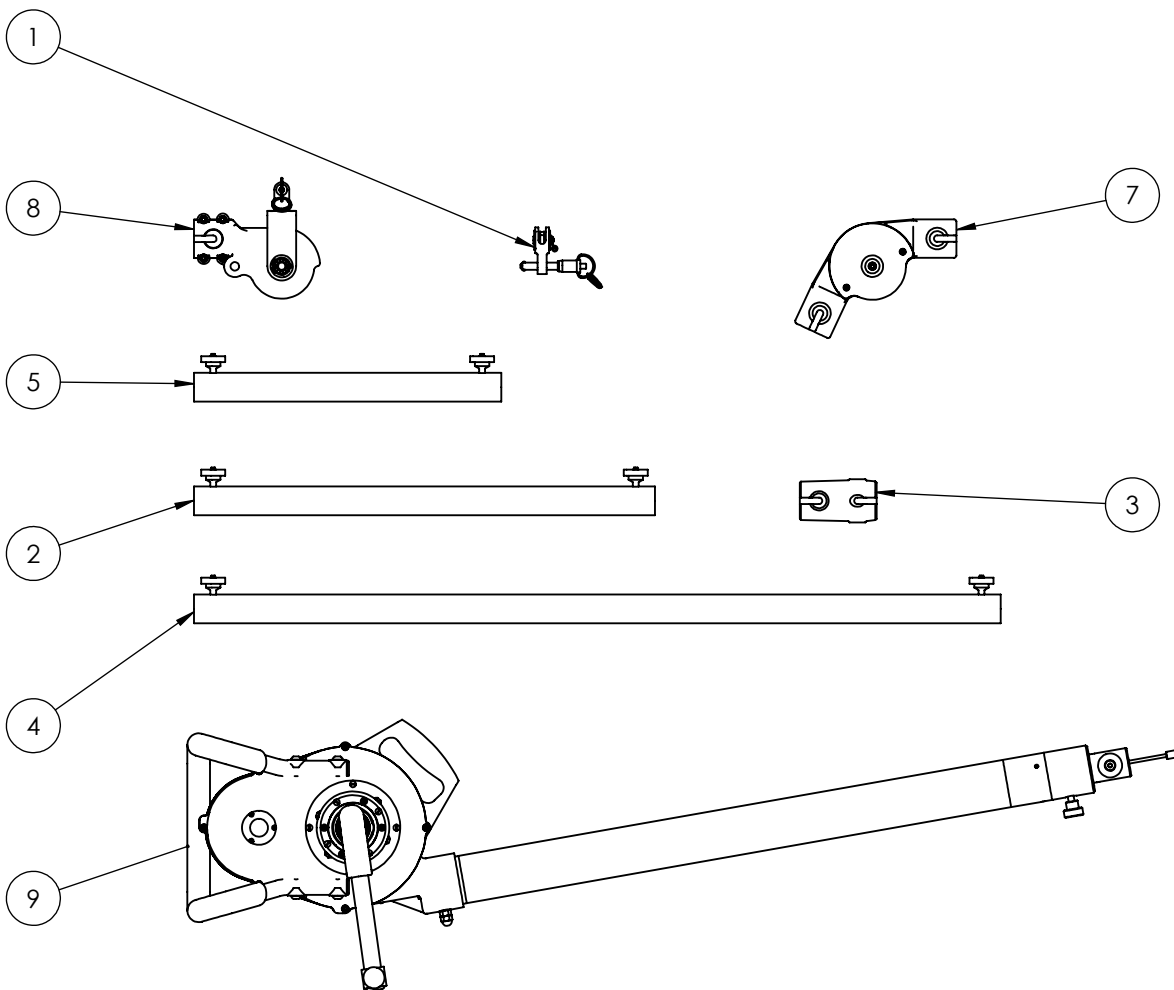
World class lifting and handling solutions

BOMBARDIER GLOBAL EXPRESS APU - SEE 92/346-AAS
 BOMBARDIER CHALLENGER 300 APU - SEE 92/348-AAS

Didsbury Engineering Co Ltd

Telephone: +44 (0)161 486 2200
 Facsimile: +44 (0)161 486 2211
 Email: sales@didsbury.com
 Web: www.didsbury.com

ITEM NO.	PART No.	DESCRIPTION	QTY.
1	10/3975	SHACKLE ASSY	1
2	41/100	610mm EXTENSION TUBE	1
3	41/110	TUBE COUPLING	1
4	41/434	1067mm EXTENSION TUBE	1
5	41/468	406mm EXTENSION TUBE	1
6	42/20T3	Ø 4.0mm CABLE ASSY x 6700mm LONG (FOR REFERENCE ONLY)	1
7	42/49	ANGLE CHANGER	1
8	42/688	CLEVIS MOUNT TOP SHEATH	1
9	92/340	250kg HUW HOIST C/W 941mm FIXED TUBE	1



HEIGHT OF LIFT: -
 SWL: 254Kg
 WEIGHT: XX

DRAWN: ADB DATE: 19/02/13 REV. 1