

AIRCRAFT APPLICATION SHEET

91/541 HOIST KIT

AIRBUS A300-600, A310 APU/THS ACTUATOR
FOR APU TYPE GTCP 331-250

REV. 3 TOP SHEATH 43/978 REPLACED BY 43/1960
ANGLE CHANGER 43/336 REPLACED BY 43/1965

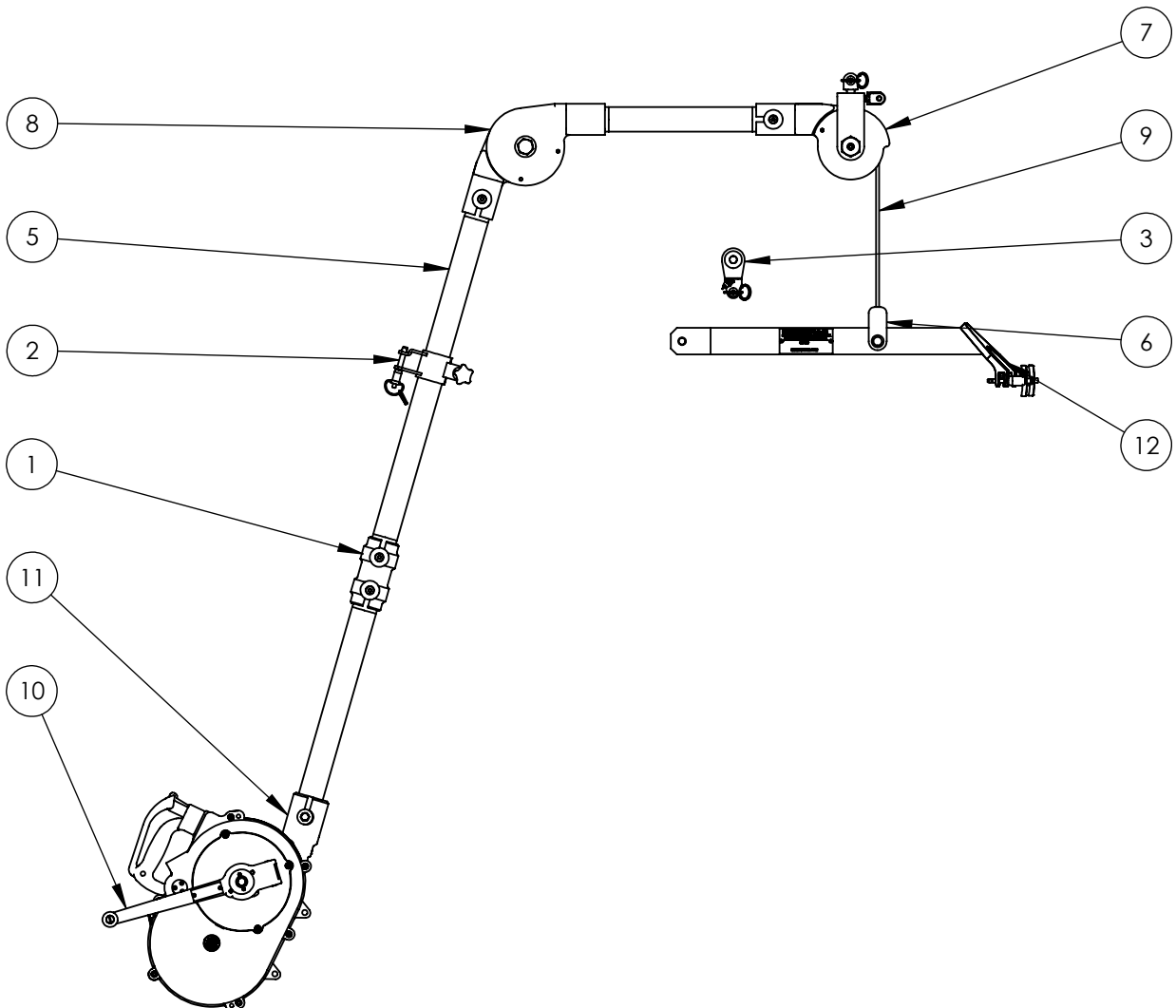
didsbury

WORLD CLASS LIFTING AND HANDLING SOLUTIONS

Didsbury Engineering Co Ltd

Telephone: +44 (0)161 486 2200
Facsimile: +44 (0)161 486 2211
Email: sales@didsbury.com
Web: www.didsbury.com

| ITEM NO. | PART No. | DESCRIPTION | QTY. |
|----------|----------|---|------|
| 1 | 43/136 | EXTENSION TUBE COUPLING | 1 |
| 2 | 43/868 | CLAMP SHELL ASSY | 1 |
| 3 | 43/874 | SHACKLE ASSEMBLY | 1 |
| 4 | 43/963 | 367mm 180° OFFSET EXTENSION TUBE | 1 |
| 5 | 43/1252 | 679mm EXTENSION TUBE | 1 |
| 6 | 43/1843 | SHACKLE ASSEMBLY | 1 |
| 7 | 43/1960 | TOP SHEATH | 1 |
| 8 | 43/1965 | ANGLE CHANGER ASSEMBLY - 106° | 1 |
| 9 | 91/8T5 | CABLE ASSEMBLY (FOR REFERENCE ONLY) | 1 |
| 10 | 91/84 | WINDING HANDLE | 1 |
| 11 | 91/263 | 91/16 WINDING MECHANISM WITH FIXED TUBE | 1 |
| 12 | 91/542 | BEAM ASSY | 1 |



HEIGHT OF LIFT: 8000mm
SWL: 500kg
WEIGHT: 35kg

DRAWN: ADB DATE: 7/01/15 REV. 3