

AIRCRAFT APPLICATION SHEET

91/536 HOIST KIT

AIRBUS A330/340 APU/THS ACTUATOR



World class lifting and handling solutions

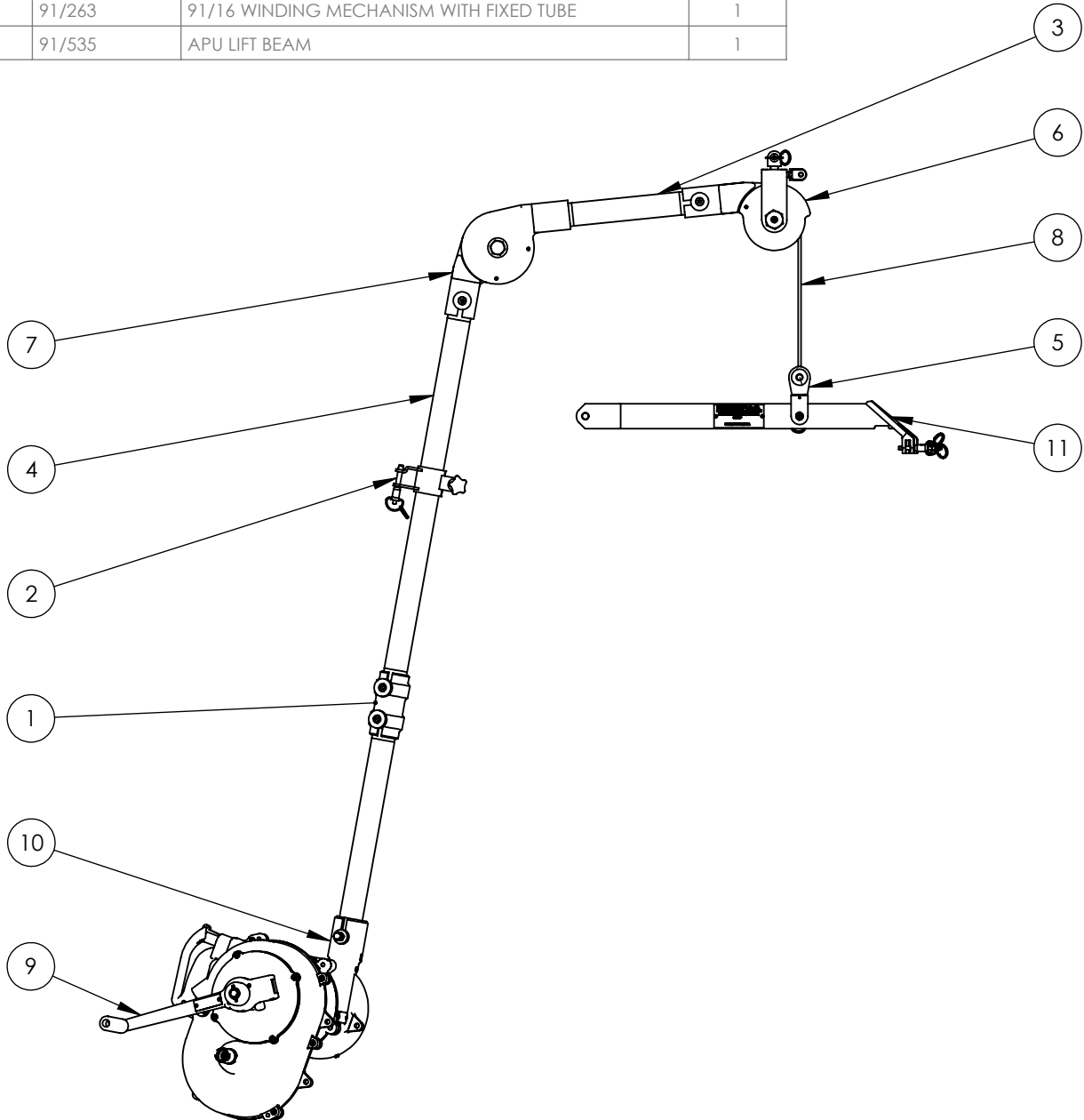
Didsbury Engineering Co Ltd

REV 2 TOP SHEATH 43/978 REPLACED BY 43/1960
 ANGLE CHANGER 43/336 REPLACED BY 43/1965

Telephone: +44 (0)161 486 2200
 Facsimile: +44 (0)161 486 2211
 Email: sales@didsbury.com
 Web: www.didsbury.com

THIS KIT REPLACES 91/348 WHICH IS NO LONGER AVAILABLE

ITEM NO.	PART No.	DESCRIPTION	QTY.
1	43/136	EXTENSION TUBE COUPLING	1
2	43/868	CLAMP SHELL ASSY	1
3	43/1356	320mm 180° OFFSET EXTENSION TUBE	1
4	43/1447	762mm 20° OFFSET EXTENSION TUBE	1
5	43/1801	SHACKLE	1
6	43/1960	TOP SHEATH	1
7	43/1965	ANGLE CHANGER ASSEMBLY - 106°	1
8	91/8T5	CABLE ASSEMBLY (FOR REFERENCE ONLY)	1
9	91/84	WINDING HANDLE	1
10	91/263	91/16 WINDING MECHANISM WITH FIXED TUBE	1
11	91/535	APU LIFT BEAM	1



HEIGHT OF LIFT: 7900mm
 SWL: 500kg
 WEIGHT: 35kg

DRAWN: ADB DATE: 7/01/15 REV. 2