

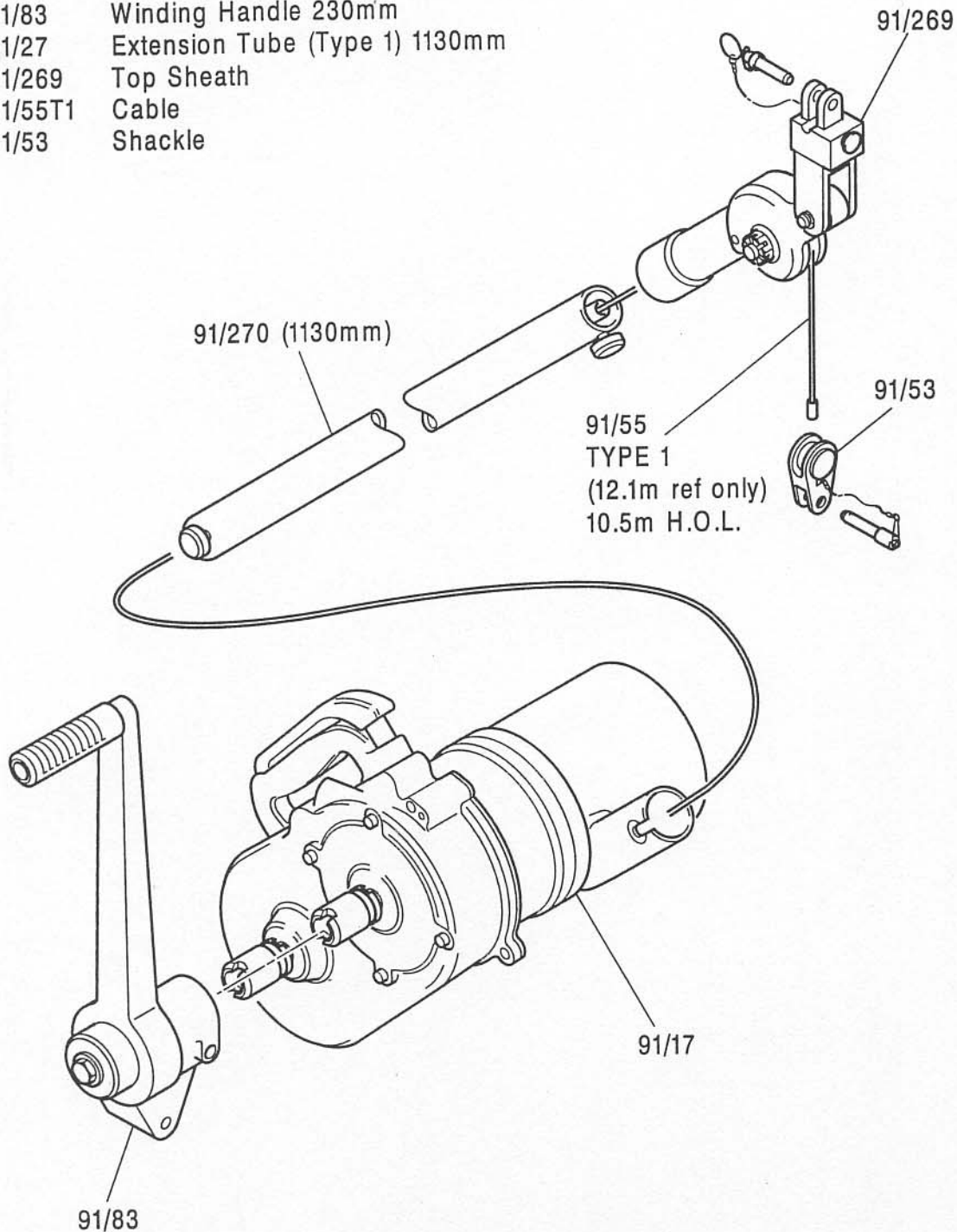
World class lifting and handling solutions

AIRCRAFT APPLICATION SHEET 102

BOEING 737 APU etc.

(A1/91/41) comprising:

- 1 x 91/17 Winding Mechanism 250kg SWL
- 1 x 91/83 Winding Handle 230mm
- 1 x 91/27 Extension Tube (Type 1) 1130mm
- 1 x 91/269 Top Sheath
- 1 x 91/55T1 Cable
- 1 x 91/53 Shackle



2-OFF SETS/TOTAL KIT

250kg SWL