

AIRCRAFT APPLICATION SHEET FOR: 83/399

747 BATTERY AND UPPER DECK SLIDE HOIST KIT

UPPER DECK SLIDE - USE AS SHOWN

BATTERY - USE WITHOUT UPPER DECK SLIDE SHACKLE 83/403

didsbury

World class lifting and handling solutions

Didsbury Engineering Co Ltd

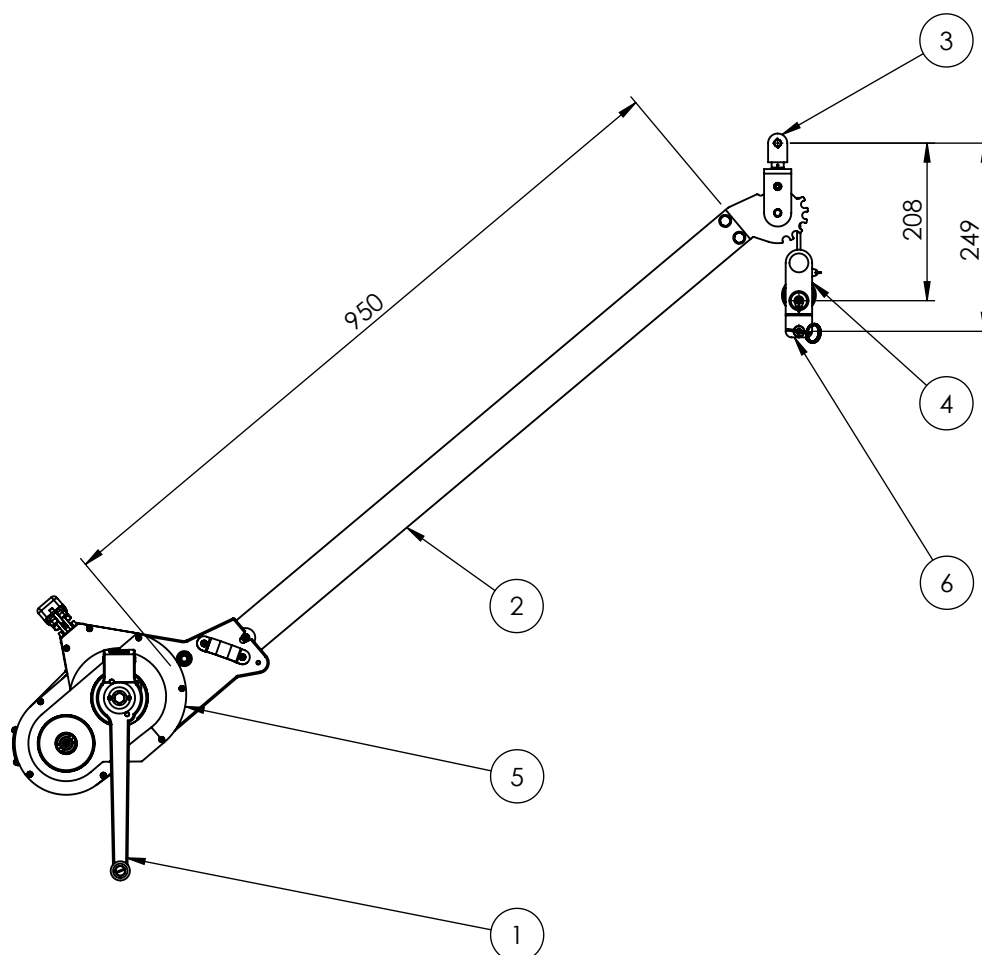
Telephone: +44 (0)161 486 2200

Facsimile: +44 (0)161 486 2211

Email: sales@didsbury.com

Web: www.didsbury.com

ITEM NO.	PART No.	DESCRIPTION	QTY.
1	83/317T1	WINDING HANDLE	1
2	83/375	EXT TUBE AND TOP SHEATH ASSY	1
3	83/376	STRAP ASSY	1
4	83/377	SHACKLE ASSY	1
5	83/378	DECO 2000 WITH NARROW DRUM	1
6	83/403	UPPER DECK SLIDE SHACKLE	1



SWL: 127Kg

HEIGHT OF LIFT: 10.0m

WEIGHT: 13kg