

AIRCRAFT APPLICATION SHEET A2/61/816 HOIST KIT

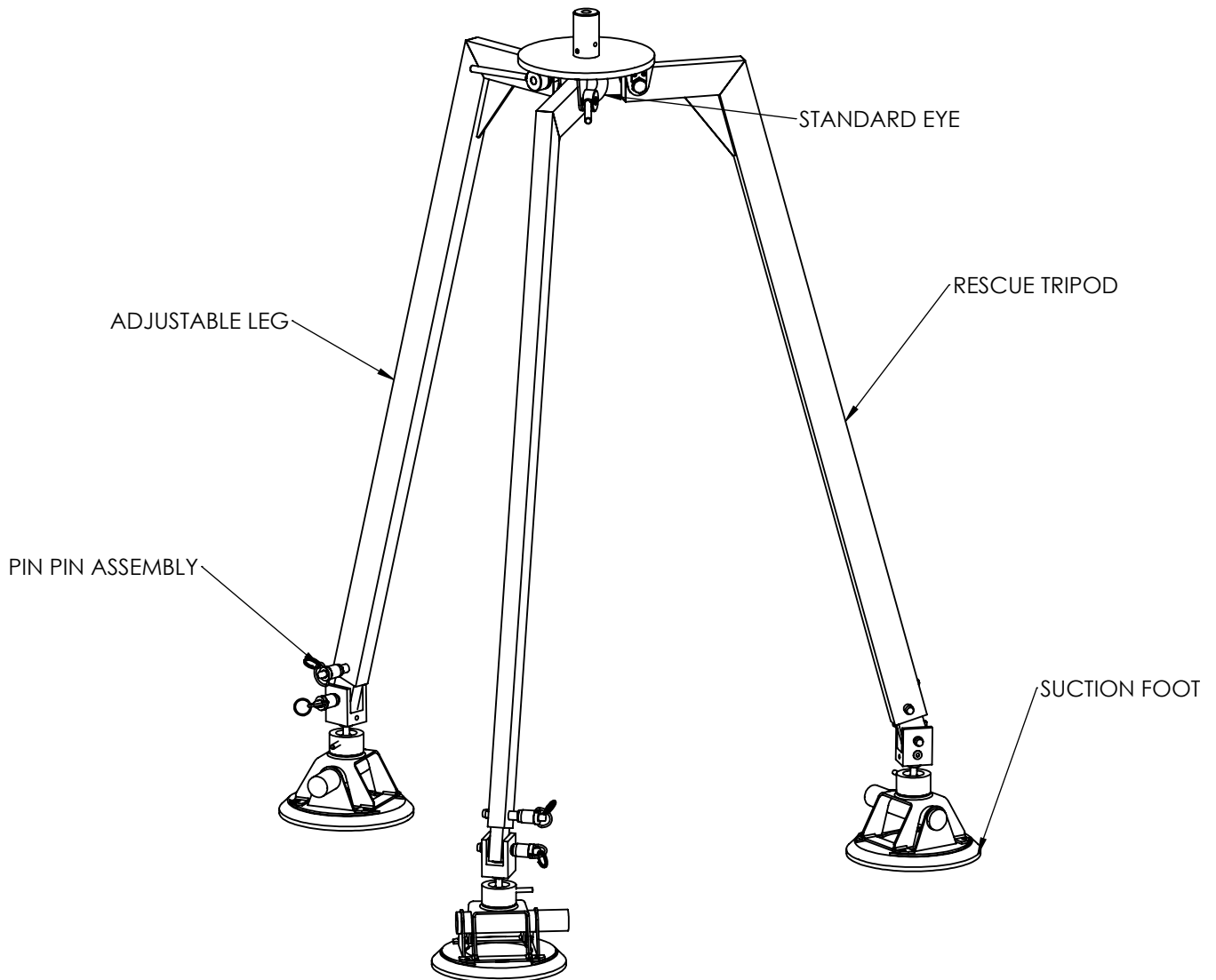
AIRBUS MLG ACTUATOR
1.4M TRIPOD WITH SUCTION FEET
used on P/N98D32104009004-A320-100
used on P/N98D32104009006-A320-200

didsbury

World class lifting and handling solutions

Didsbury Engineering Co Ltd

Telephone: +44 (0)161 486 2200
Facsimile: +44 (0)161 486 2211
Email: sales@didsbury.com
Web: www.didsbury.com



HEIGHT OF LIFT: N/A
SWL: 127Kg
WEIGHT: 22Kg

THIS APPLICATION SHEET SUPERSEDES 'AAS084'

DRAWN: MB DATE: 09/09/13 REV. 1