

AIRCRAFT APPLICATION SHEET A1/61/815 HOIST KIT

AIRBUS MLG ACTUATOR/SIDE STAY FOR AIRCRAFT A319, A320 & A321

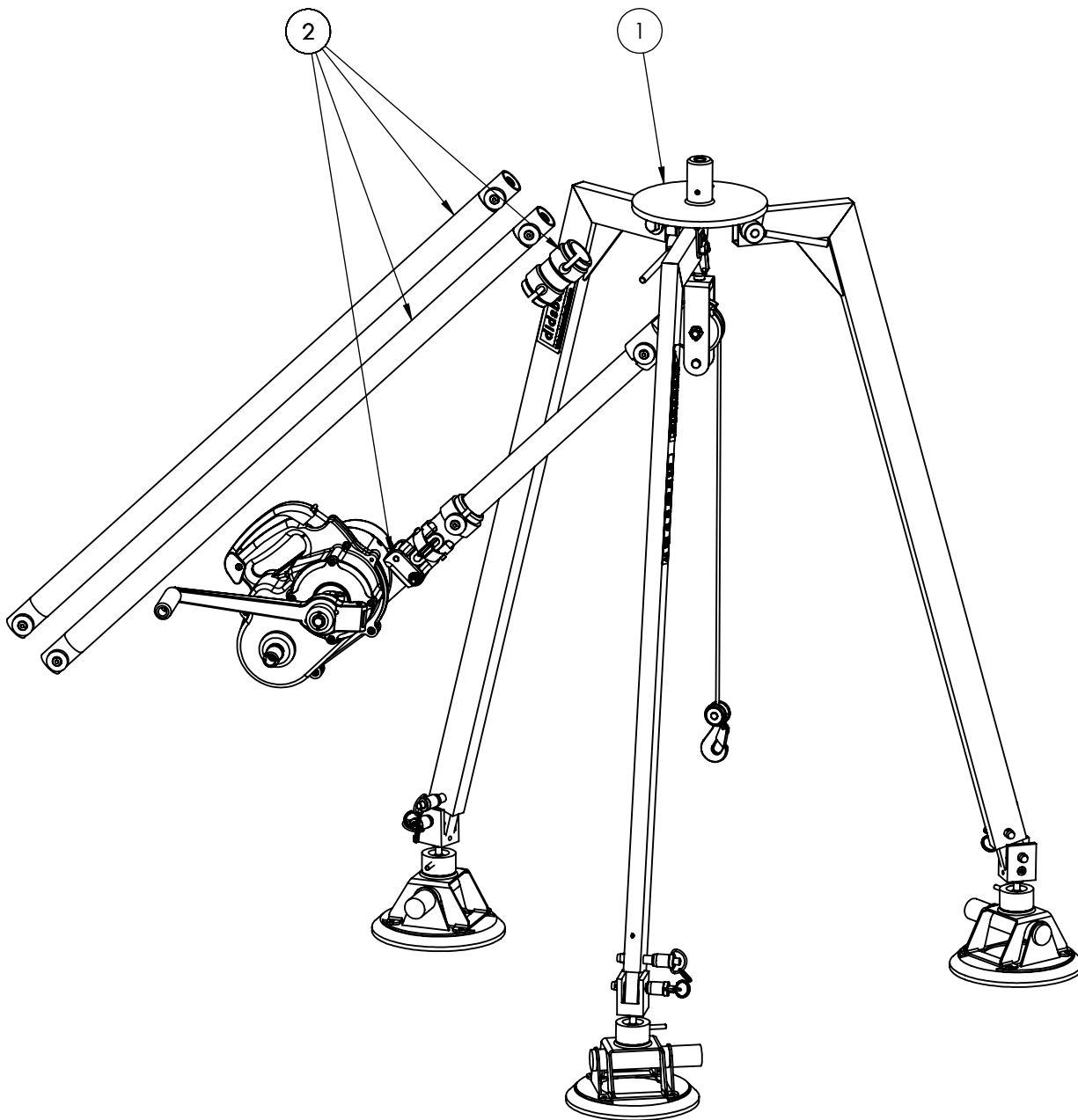
didsbury

World class lifting and handling solutions

Didsbury Engineering Co Ltd

Telephone: +44 (0)161 486 2200
Facsimile: +44 (0)161 486 2211
Email: sales@didsbury.com
Web: www.didsbury.com

ITEM NO.	PART No.	DESCRIPTION	QTY.
1	61/816	STEEL TRIPOD C/W SUCTION FEET	1
2	61/793	AIRBUS MLG ACTUATOR HOIST KIT	1
3	41/32	CABLE (REF ONLY)	1



NOTE: MADE UP OF A COMBINATION OF 076 & 084

HEIGHT OF LIFT: 6.85M WITH 457mm TUBE ONLY
SWL: 127Kg
WEIGHT: 37.5Kg

DRAWN: MWB DATE: 15/12/15 REV. 2