

# AIRCRAFT APPLICATION SHEET

## 44/524 HOIST KIT

### AIRBUS A320 FAL MAIN LANDING GEAR

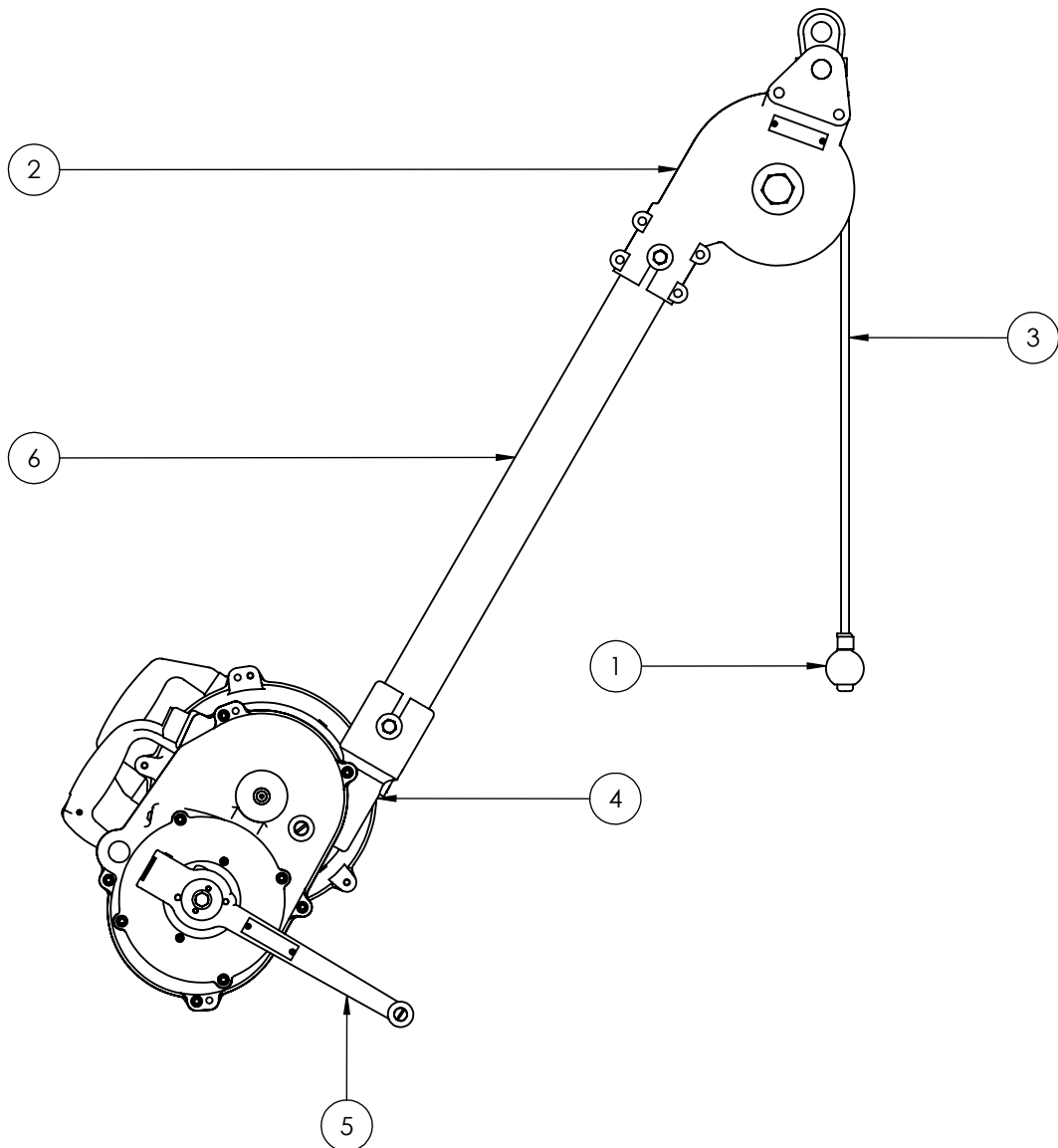


World class lifting and handling solutions

**Didsbury Engineering Co Ltd**

Telephone: +44 (0)161 486 2200  
 Facsimile: +44 (0)161 486 2211  
 Email: sales@didsbury.com  
 Web: www.didsbury.com

ITEM NO.	PART No.	DESCRIPTION	QTY.
1	44/78	BALL END ATTACHMENT	1
2	44/350	TOP SHEATH ASSEMBLY	1
3	44/459	Ø8mm CABLE ASSEMBLY (REF ONLY)	1
4	44/468	WUWD WINDING MECHANISM 1270kg	1
5	44/493	WINDING HANDLE ASSEMBLY	1
6	44/534T3	610MM FIXED EXTENSION TUBE	1



HEIGHT OF LIFT: 3810mm  
 SWL: 1270kg  
 WEIGHT: 33kg

DRAWN: SJB DATE: 25/01/17 REV. 1