

AIRCRAFT APPLICATION SHEET FOR: 44/469

A400M ENGINE CHANGE HOIST KIT



World class lifting and handling solutions

Didsbury Engineering Co Ltd

Telephone: +44 (0)161 486 2200
Facsimile: +44 (0)161 486 2211
Email: sales@didsbury.com
Web: www.didsbury.com

ITEM NO.	PART No.	DESCRIPTION	QTY.
1	44/55	DETACHABLE HOOK	4
2	44-152	EXTENSION TUBE COUPLING	8
3	44-427	SPIGOT MOUNT TOP SHEATH	2
4	44-429	FLOORSTAND	4
5	44-459T5	Ø 8 x 4800 CABLE ASSEMBLY	4
6	44-468	WUWD WINDING MECHANISM 1270kg	4
7	44-470	800mm EXTENSION TUBE - LARGE DIAMETER	4
8	44-471	1600mm EXTENSION TUBE - LARGE DIAMETER	8
9	44-473	FORK MOUNT TOP SHEATH ASSEMBLY	4
10	44-475	CABLE CONNECTOR	4
11	44-493	WINDING HANDLE ASSEMBLY	4
12	44-495	1975mm SPECIAL EXTENSION TUBE	2
13	44-500	SHACKLE AND CABLE ASSEMBLY	2
14	44-508	LOW FLOOR STAND	1
15	44-513	SHACKLE AND CABLE ASSEMBLY - 5540mm LONG	1

SWL: Kg
WEIGHT: Kg

AIRCRAFT APPLICATION SHEET FOR: 44/469

A400M ENGINE CHANGE

FRONT CONNECTION POINTS

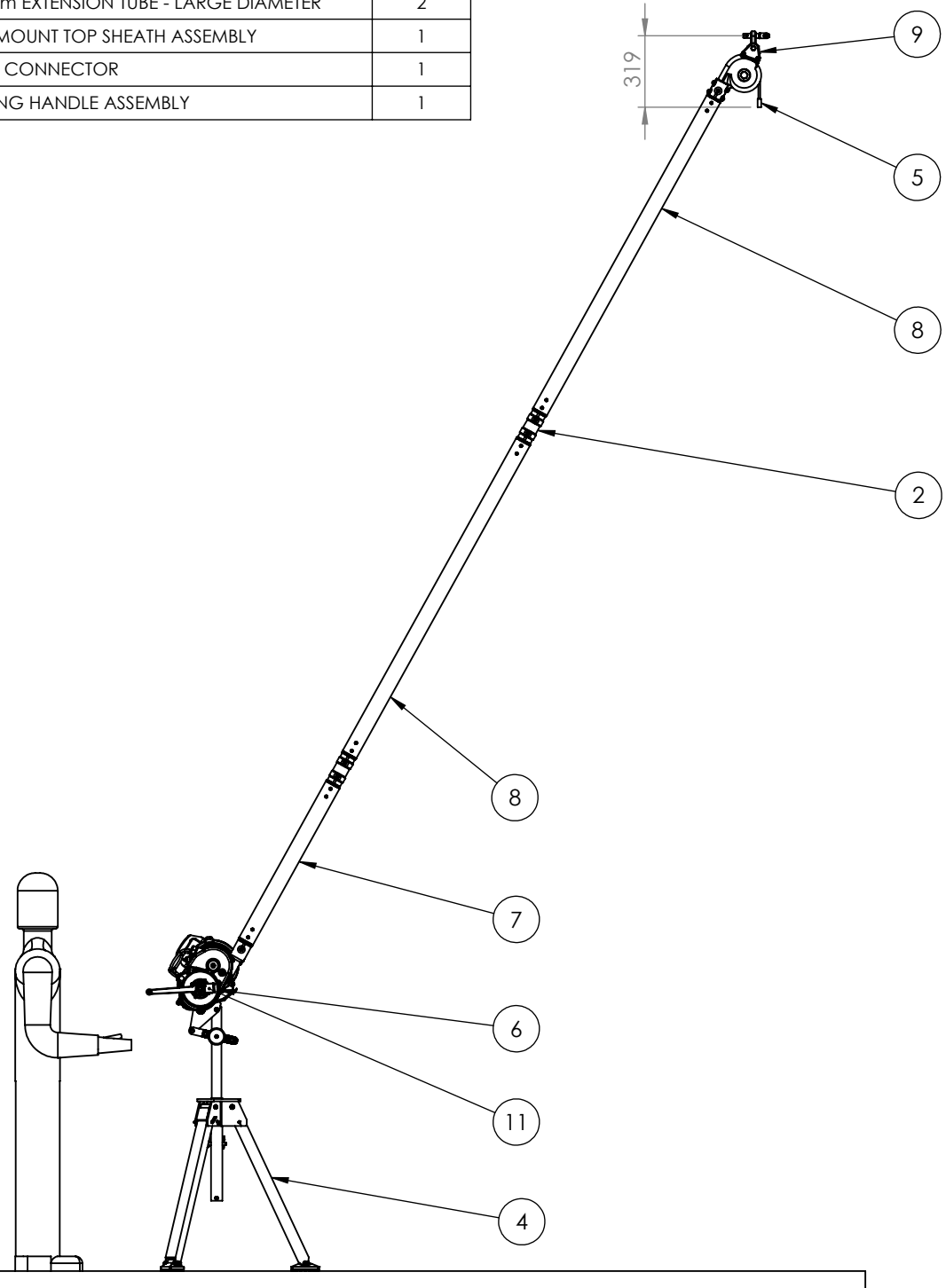
didsbury

World class lifting and handling solutions

Didsbury Engineering Co Ltd

Telephone: +44 (0)161 486 2200
 Facsimile: +44 (0)161 486 2211
 Email: sales@didsbury.com
 Web: www.didsbury.com

ITEM NO.	PART No.	DESCRIPTION	QTY.
2	44-152	EXTENSION TUBE COUPLING	2
4	44-429	FLOORSTAND	1
5	44-459T5	Ø8 x 4800 CABLE ASSEMBLY	1
6	44-468	WUWD WINDING MECHANISM 1270kg	1
7	44-470	800mm EXTENSION TUBE - LARGE DIAMETER	1
8	44-471	1600mm EXTENSION TUBE - LARGE DIAMETER	2
9	44-473	FORK MOUNT TOP SHEATH ASSEMBLY	1
10	44-475	CABLE CONNECTOR	1
11	44-493	WINDING HANDLE ASSEMBLY	1



HEIGHT OF LIFT: 4340mm
 SWL: 1270Kg
 SELF WEIGHT: Kg

AIRCRAFT APPLICATION SHEET FOR: 44/469

A400M ENGINE CHANGE - FROM STAGING

FRONT CONNECTION POINTS

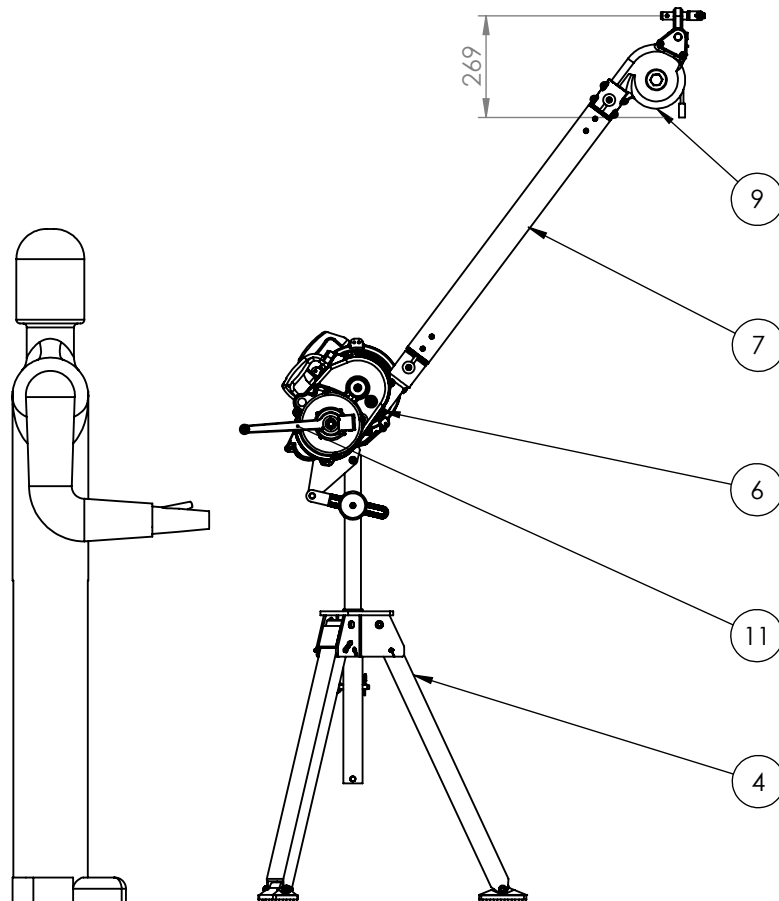
didsbury

World class lifting and handling solutions

Didsbury Engineering Co Ltd

Telephone: +44 (0)161 486 2200
Facsimile: +44 (0)161 486 2211
Email: sales@didsbury.com
Web: www.didsbury.com

ITEM NO.	PART No.	DESCRIPTION	QTY.
4	44-429	FLOORSTAND	1
6	44-468	WUWD WINDING MECHANISM 1270kg	1
7	44-470	800mm EXTENSION TUBE - LARGE DIAMETER	1
9	44-473	FORK MOUNT TOP SHEATH ASSEMBLY	1
11	44-493	WINDING HANDLE ASSEMBLY	1



HEIGHT OF LIFT: 3480mm
SWL: 1270Kg
SELF WEIGHT: Kg

AIRCRAFT APPLICATION SHEET FOR: 44/469

A400M ENGINE CHANGE

REAR CONNECTION POINTS

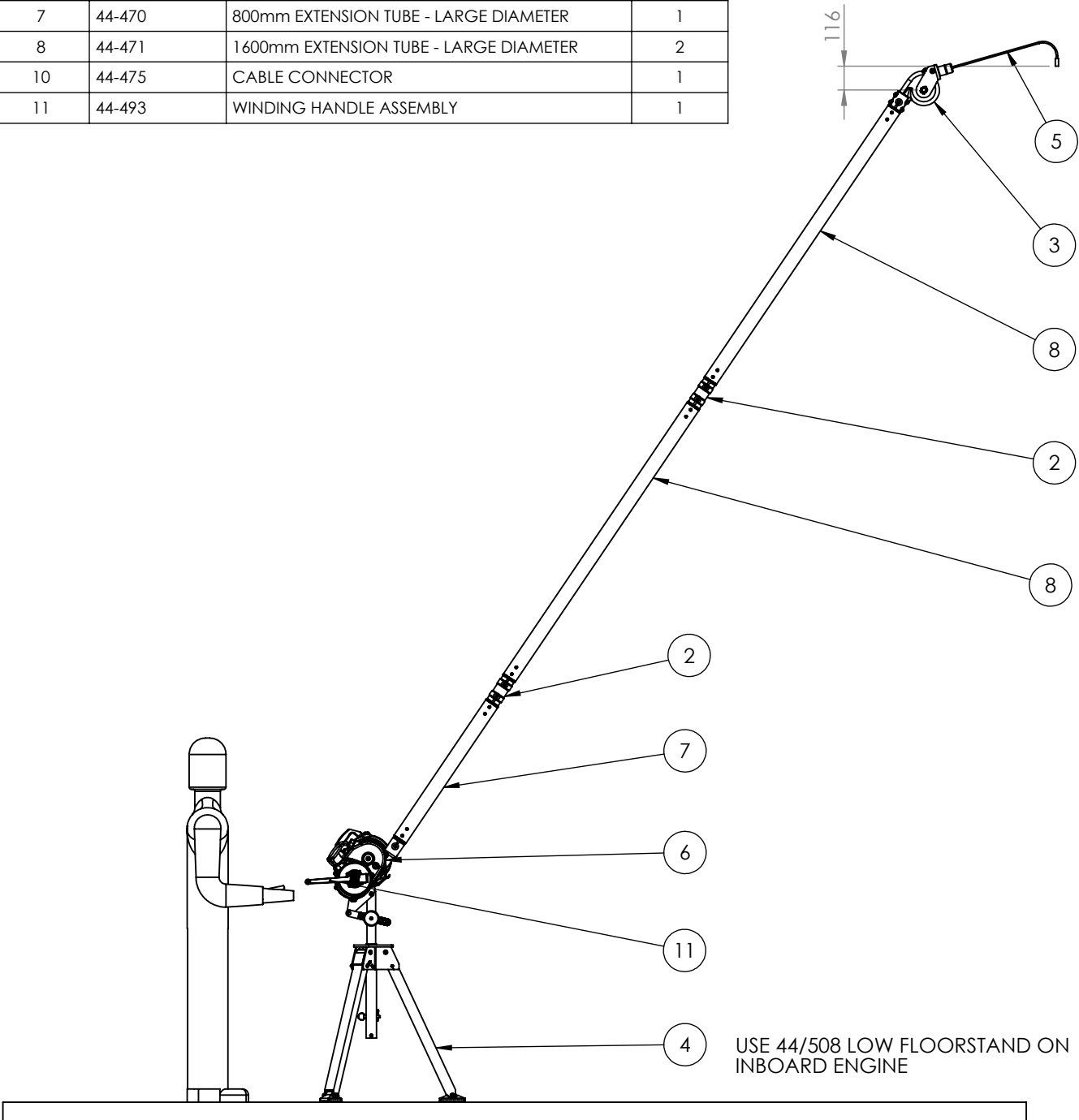
didsbury

World class lifting and handling solutions

Didsbury Engineering Co Ltd

Telephone: +44 (0)161 486 2200
 Facsimile: +44 (0)161 486 2211
 Email: sales@didsbury.com
 Web: www.didsbury.com

ITEM NO.	PART No.	DESCRIPTION	QTY.
2	44-152	EXTENSION TUBE COUPLING	2
3	44-427	SPIGOT MOUNT TOP SHEATH	1
4	44-429	FLOORSTAND	1
5	44-459T5	Ø 8 x 4800 CABLE ASSEMBLY	1
6	44-468	WUWD WINDING MECHANISM 1270kg	1
7	44-470	800mm EXTENSION TUBE - LARGE DIAMETER	1
8	44-471	1600mm EXTENSION TUBE - LARGE DIAMETER	2
10	44-475	CABLE CONNECTOR	1
11	44-493	WINDING HANDLE ASSEMBLY	1



HEIGHT OF LIFT: 3830mm
 SWL: 1270Kg
 SELFT WEIGHT: kG

AIRCRAFT APPLICATION SHEET FOR: 44/469

A400M ENGINE CHANGE FROM STAGING

REAR CONNECTION POINTS

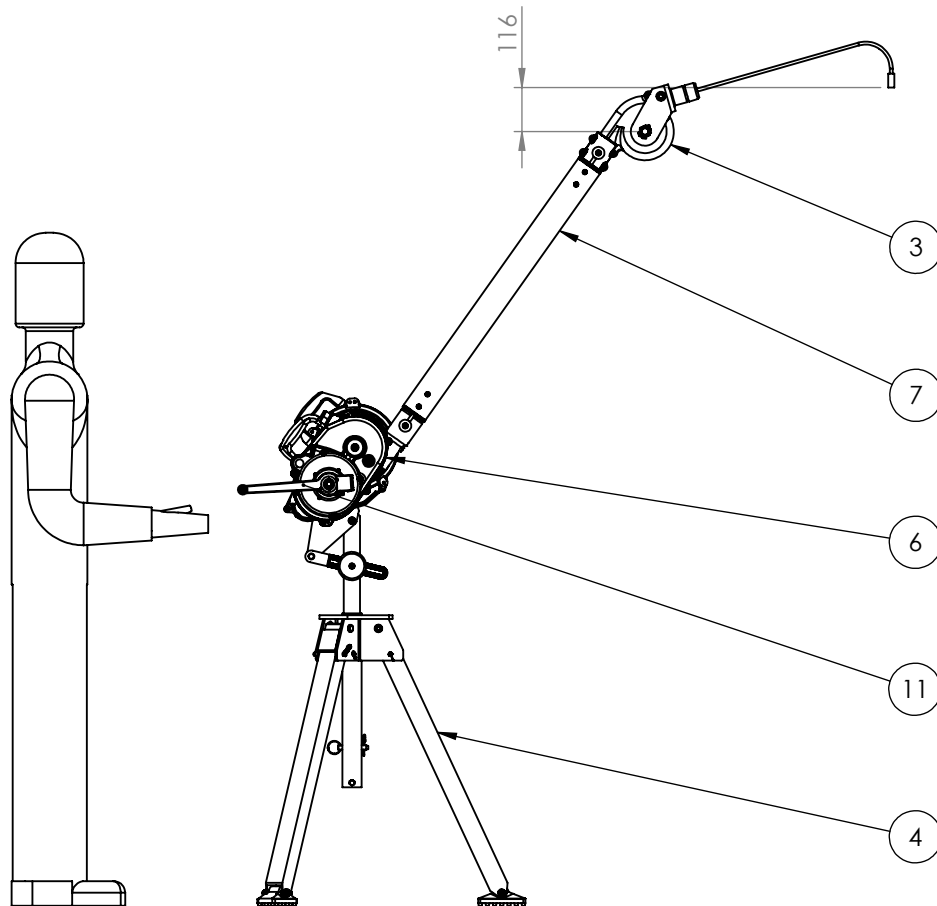
didsbury

World class lifting and handling solutions

Didsbury Engineering Co Ltd

Telephone: +44 (0)161 486 2200
Facsimile: +44 (0)161 486 2211
Email: sales@didsbury.com
Web: www.didsbury.com

ITEM NO.	PART No.	DESCRIPTION	QTY.
3	44-427	SPIGOT MOUNT TOP SHEATH	1
4	44-429	FLOORSTAND	1
6	44-468	WUWD WINDING MECHANISM 1270kg	1
7	44-470	800mm EXTENSION TUBE - LARGE DIAMETER	1
11	44-493	WINDING HANDLE ASSEMBLY	1



HEIGHT OF LIFT: 2930mm
SWL: 1270Kg
SELF WEIGHT: Kg

AIRCRAFT APPLICATION SHEET FOR: 44/469

A400M PROPELLOR CHANGE

TILT FUNCTION

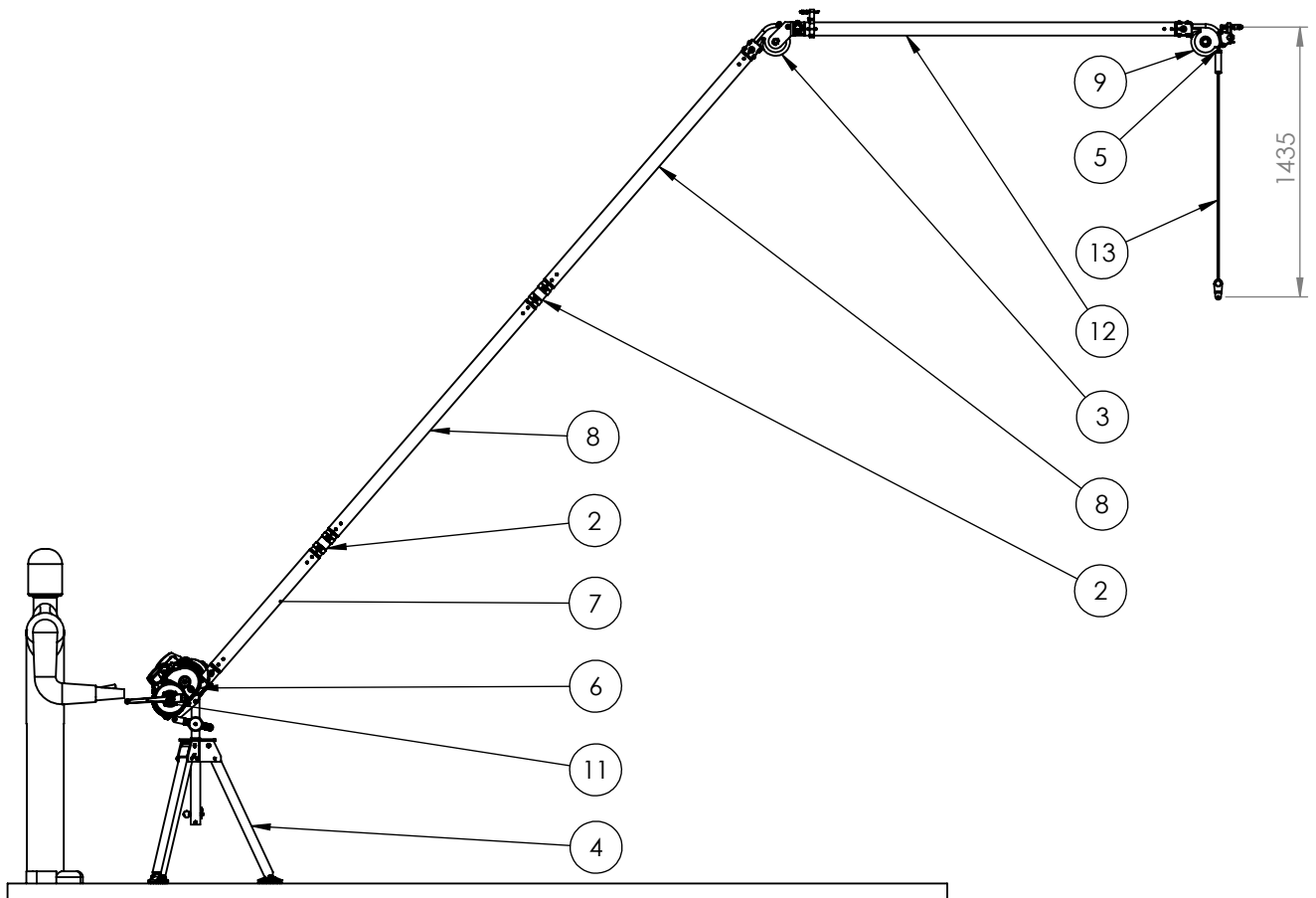


World class lifting and handling solutions

Didsbury Engineering Co Ltd

Telephone: +44 (0)161 486 2200
 Facsimile: +44 (0)161 486 2211
 Email: sales@didsbury.com
 Web: www.didsbury.com

ITEM NO.	PART No.	DESCRIPTION	QTY.
2	44-152	EXTENSION TUBE COUPLING	2
3	44-427	SPIGOT MOUNT TOP SHEATH	1
4	44-429	FLOORSTAND	1
5	44-459T5	Ø8 x 4800 CABLE ASSEMBLY	1
6	44-468	WUWD WINDING MECHANISM 1270kg	1
7	44-470	800mm EXTENSION TUBE - LARGE DIAMETER	1
8	44-471	1600mm EXTENSION TUBE - LARGE DIAMETER	2
9	44-473	FORK MOUNT TOP SHEATH ASSEMBLY	1
10	44-475	CABLE CONNECTOR	1
11	44-493	WINDING HANDLE ASSEMBLY	1
12	44-495	1975mm SPECIAL EXTENSION TUBE	1
13	44-500	SHACKLE AND CABLE ASSEMBLY	1



HEIGHT OF LIFT: 2180mm
 SWL: 1270Kg
 SELF WEIGHT: Kg

AIRCRAFT APPLICATION SHEET FOR: 44/469

A400M PROPELLOR CHANGE

LIFT FUNCTION

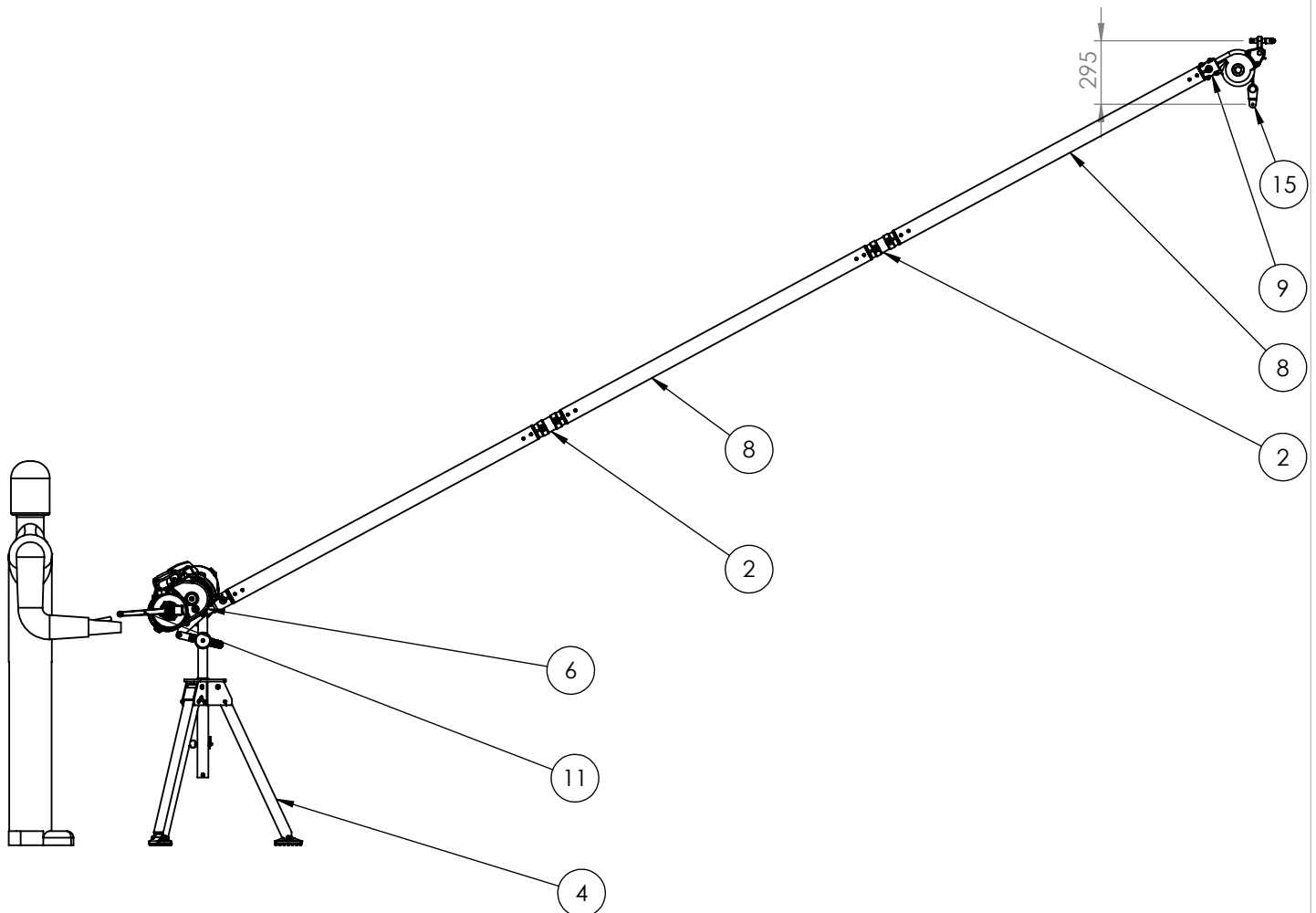
didsbury

World class lifting and handling solutions

Didsbury Engineering Co Ltd

Telephone: +44 (0)161 486 2200
Facsimile: +44 (0)161 486 2211
Email: sales@didsbury.com
Web: www.didsbury.com

ITEM NO.	PART No.	DESCRIPTION	QTY.
2	44-152	EXTENSION TUBE COUPLING	2
4	44-429	FLOORSTAND	1
6	44-468	WUWD WINDING MECHANISM 1270kg	1
8	44-471	1600mm EXTENSION TUBE - LARGE DIAMETER	3
9	44-473	FORK MOUNT TOP SHEATH ASSEMBLY	1
10	44-475	CABLE CONNECTOR	1
11	44-493	WINDING HANDLE ASSEMBLY	1
15	44-513	SHACKLE AND CABLE ASSEMBLY - 5540mm LONG	1



HEIGHT OF LIFT: 4400mm
SWL: 1270Kg
SELF WEIGHT: Kg