

AIRCRAFT APPLICATION SHEET 191

A1/44/376 HOIST KIT

AIRBUS A330/A340 NLG, NLG DRAG STRUT, CLG STAY, CLG R/I EQUIPMENT

REV 3 07/04/14

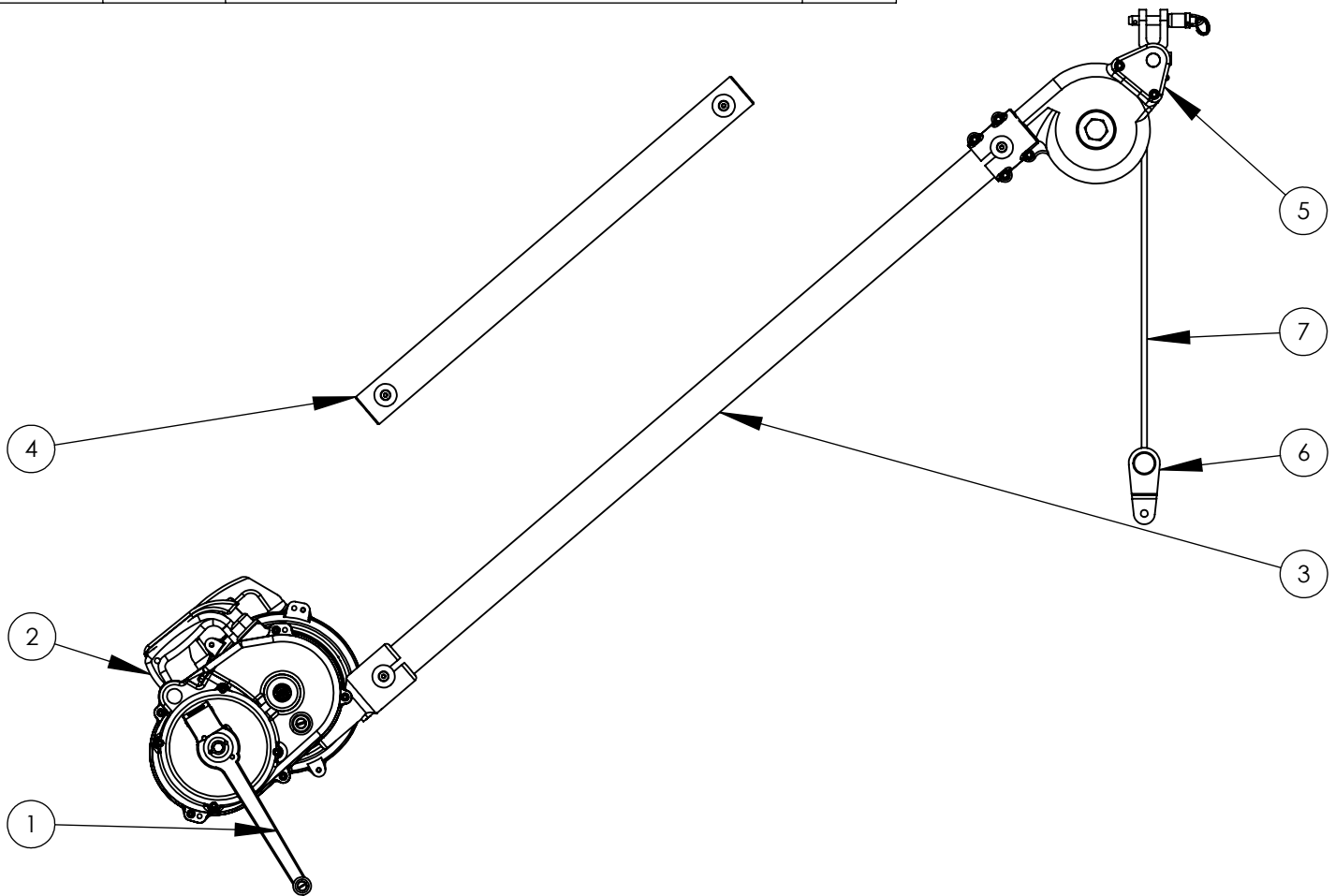
didsbury

World class lifting and handling solutions

Didsbury Engineering Co Ltd

Telephone: +44 (0)161 486 2200
Facsimile: +44 (0)161 486 2211
Email: sales@didsbury.com
Web: www.didsbury.com

ITEM NO.	PART No.	DESCRIPTION	QTY.
1	41/163	9" WINDING HANDLE	1
2	44/80	WINDING MECHANISM 1270kg	1
3	44/90	1219mm EXTENSION TUBE	1
4	44/95	698mm EXTENSION TUBE	1
5	44/377	TOP SHEATH ASSEMBLY	1
6	44/392	SHACKLE	1
7	44-459	Ø8mm x 5.029m CABLE ASSY - SUPPLIED WITH 44/80	1



HEIGHT OF LIFT: 3.250m WHEN USING EXTENSION TUBE 44/90
3.770m WHEN USING EXTENSION TUBE 44/95

NOTE

WINDING MECHANISMS IDENTIFIED AS 44/80M ARE FITTED WITH CABLE 44/459

WINDING MECHANISMS IDENTIFIED AS 44/80 ARE FITTED WITH CABLE 44/28. THIS PART IS NO LONGER AVAILABLE

ALL WINDING MECHANISMS IDENTIFIED AS 44/80 NEEDING A REPLACEMENT CABLE REQUIRE MODIFYING TO 44/80M

SWL: 1270Kg
WEIGHT: 32Kg