

AIRCRAFT APPLICATION SHEET

A1/43/1473 HOIST KIT

AIRBUS A330/A340 SIDESTAY MLG

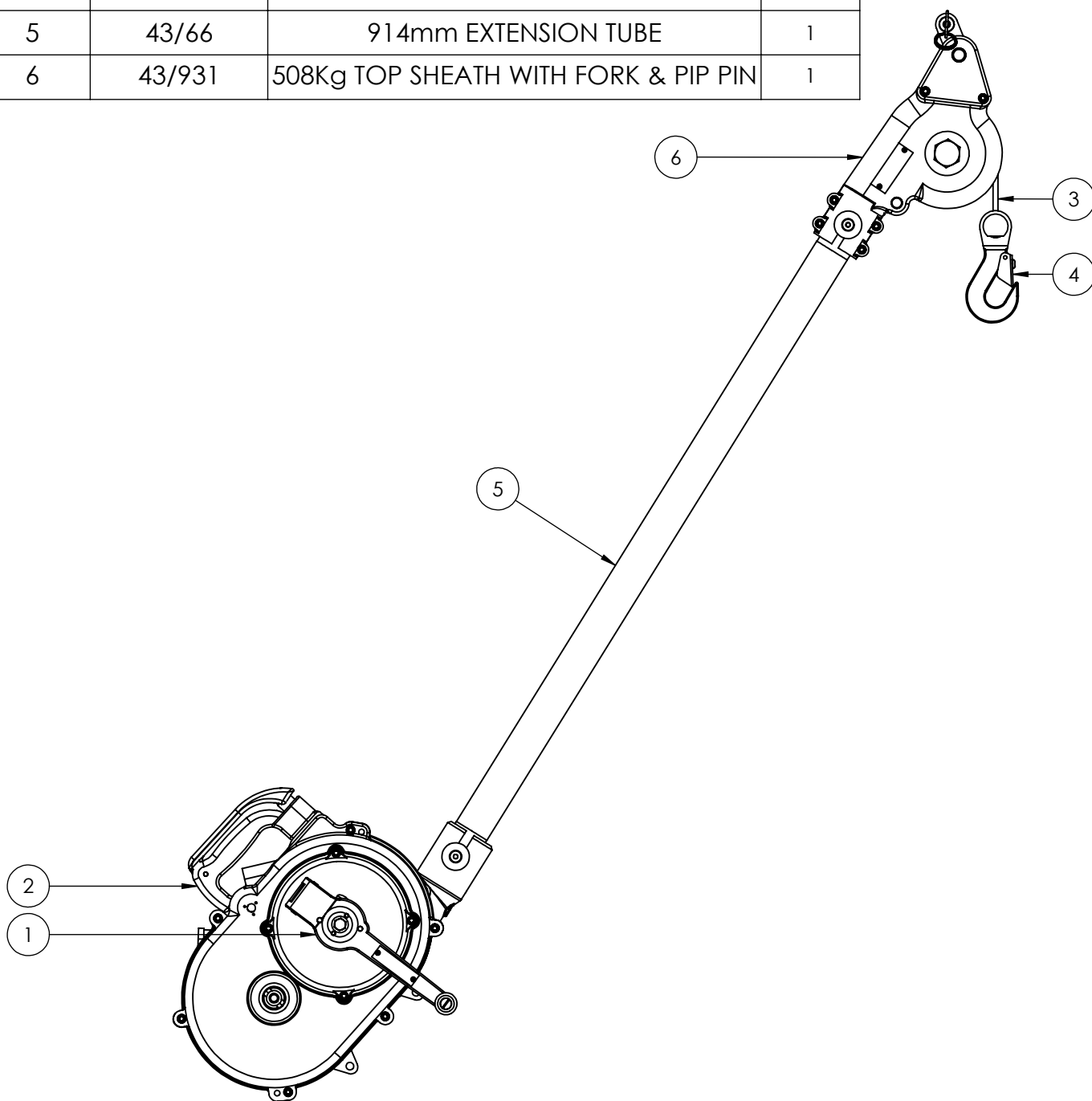
didsbury

World class lifting and handling solutions

Didsbury Engineering Co Ltd

Telephone: +44 (0)161 486 2200
Facsimile: +44 (0)161 486 2211
Email: sales@didsbury.com
Web: www.didsbury.com

ITEM NO.	PART NUMBER	DESCRIPTION	QTY
1	41/164	6" WINDING HANDLE	1
2	43/1	508Kg WINDING MECHANISM	1
3	43/38	43 SERIES CABLE (6mm) FOR REF ONLY	1
4	43/53	DETACHABLE HOOK ASSEMBLY	1
5	43/66	914mm EXTENSION TUBE	1
6	43/931	508Kg TOP SHEATH WITH FORK & PIP PIN	1



HEIGHT OF LIFT: 5.5m

SWL: 500Kg

WEIGHT: 24Kg

REVISION. 2.1

DATE: 02/06/2017