

AIRCRAFT APPLICATION SHEET
43/1381 MINILFT HOIST FOR REMOVAL/
INSTALLATION OF REFUELLING PODS
 NSN 1730 99 3709407

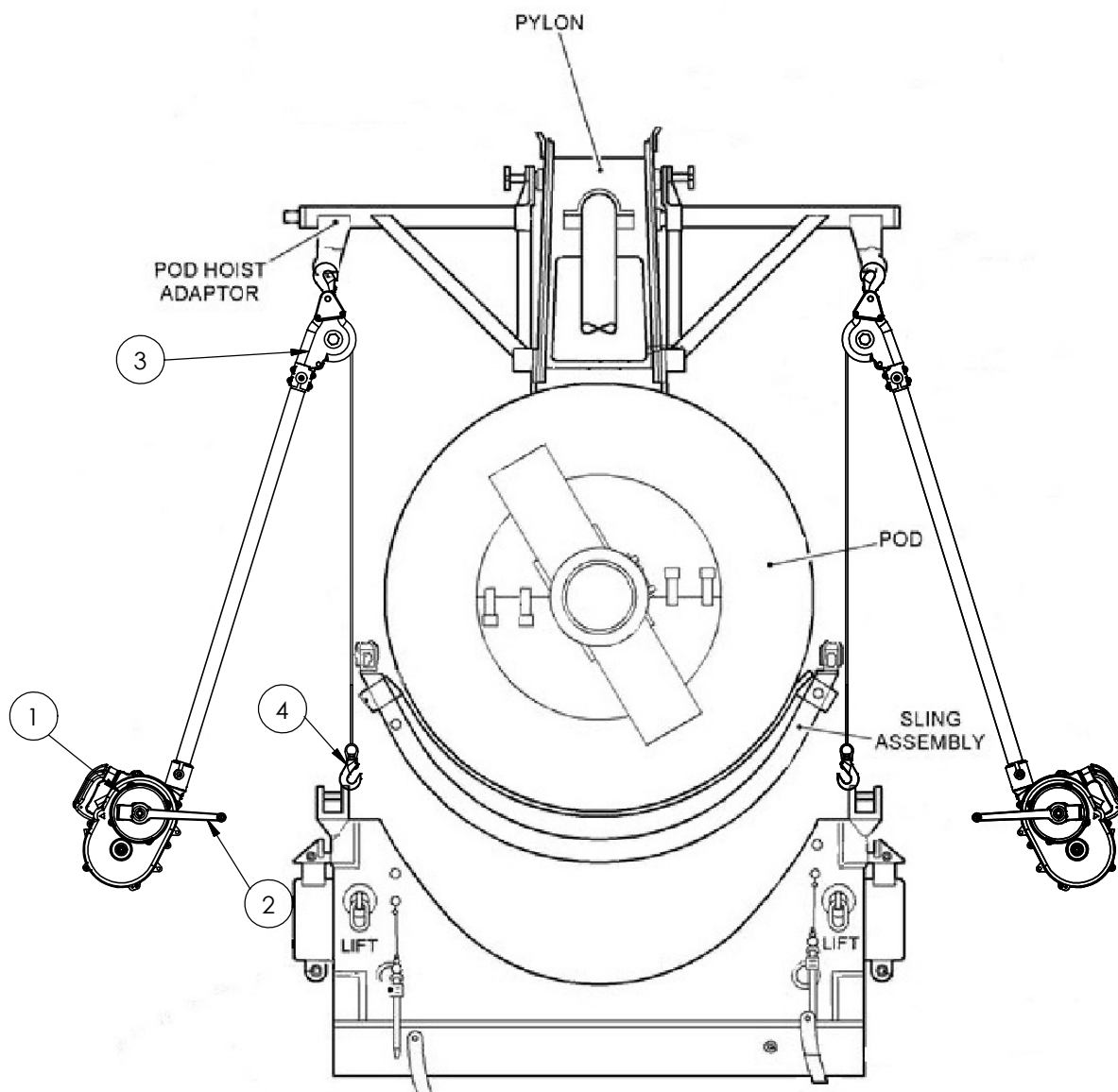
didsbury

World class lifting and handling solutions

Didsbury Engineering Co Ltd

Telephone: +44 (0)161 486 2200
 Facsimile: +44 (0)161 486 2211
 Email: sales@didsbury.com
 Web: www.didsbury.com

ITEM NO.	PART No.	DESCRIPTION	QTY.
1	43/1391	43 SERIES WINDING MECH WITH FIXED EXT TUBE 48"	1
2	43/168	TOP SHEATH ASSY	1
3	43/784	DETACHABLE HOOK ASSEMBLY	1
4	41/163	9" WINDING HANDLE	1



GENERALLY A TWO HOIST LIFT AS INDICATED.

NTS
 HEIGHT OF LIFT: 6.4m
 SWL: 508 Kg (per HOIST)
 WEIGHT: 25Kg

DRAWN:VW DATE: 18/09/13 REV. 1