

AIRCRAFT APPLICATION SHEET

42/734 HOIST KIT

EMBRAER E2 APU HOIST KIT

APU R/I REQUIRES 2 HOIST KITS

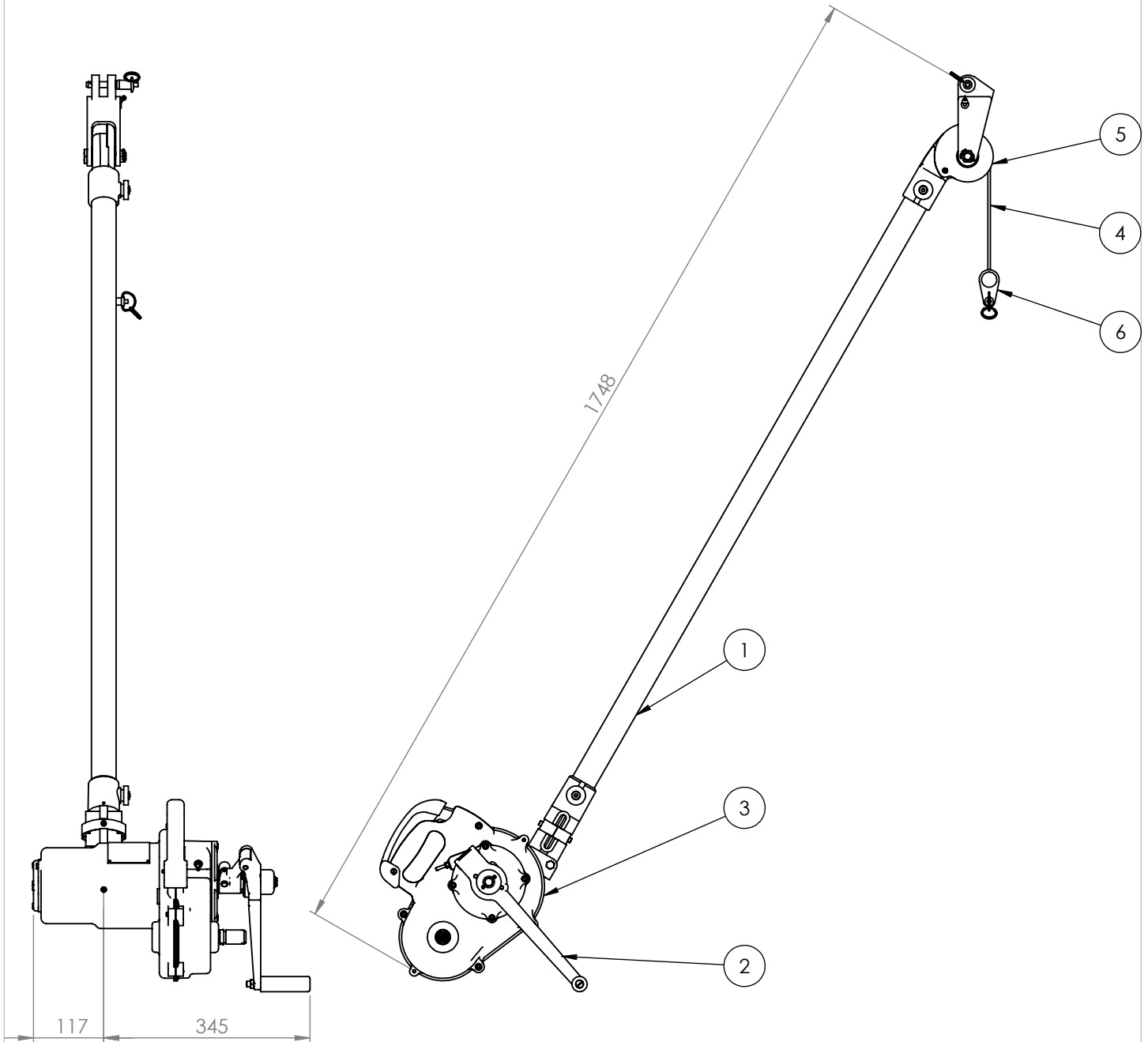
didbury

World class lifting and handling solutions

Didsbury Engineering Co Ltd

Telephone: +44 (0)161 486 2200
 Facsimile: +44 (0)161 486 2211
 Email: sales@didsbury.com
 Web: www.didsbury.com

ITEM NO.	PART No.	DESCRIPTION	QTY.
1	41/102	1219mm EXTENSION TUBE	1
2	41/163	9" WINDING HANDLE	1
3	42/1	254kg WINDING MECHANISM	1
4	42/20	Ø 4.0mm CABLE ASSEMBLY (FOR REFERENCE ONLY)	1
5	42/654	TOP SHEATH ASSEMBLY	1
6	42/659	SHACKLE - 254kg	1



HEIGHT OF LIFT: 6080mm
 SWL: 254kg
 WEIGHT: 15kg

DRAWN: ADB DATE: 09/02/15 REV. 1