

AIRCRAFT APPLICATION SHEET

42/693 HOIST KIT

TO BE USED WITH LIFT BEAM (98V32104017000)

LIFT BEAM REQUIRED FOR THE FOLLOWING TASKS:

A350 MLG SEAT STAY (98V32104003000)

A350 LEG FAIRING DOOR (98V32104015000)

A350 R/I - FWD SEAT STAY SHACKLE (98V32104013000)

didsbury

World class lifting and handling solutions

Didsbury Engineering Co Ltd

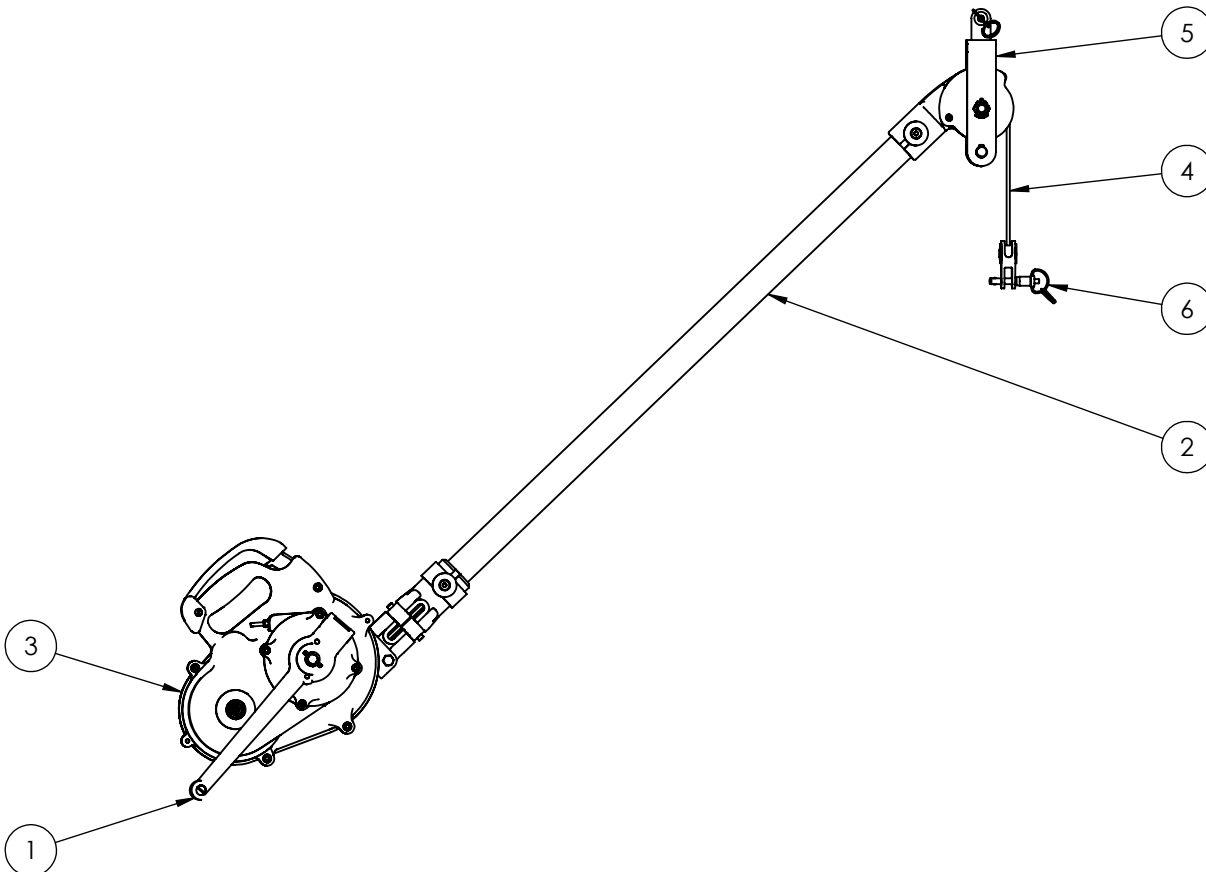
Telephone: +44 (0)161 486 2200

Facsimile: +44 (0)161 486 2211

Email: sales@didsbury.com

Web: www.didsbury.com

ITEM NO.	PART No.	DESCRIPTION	QTY.
1	41/163	9" WINDING HANDLE	1
2	41/101	914mm EXTENSION TUBE	1
3	42/1	254kg WINDING MECHANISM	1
4	42/20	Ø 4mm CABLE ASSEMBLY (FOR REFERENCE ONLY)	1
5	42/355	TOP SHEATH ASSEMBLY	1
6	91/53	SHACKLE ASSEMBLY	1



HEIGHT OF LIFT: 6.40m

SWL: 254Kg

WEIGHT: 14.5Kg

DRAWN: CPS

DATE: 14/3/13

REV. 1