

AIRCRAFT APPLICATION SHEET: 42/661

ISSUE 1



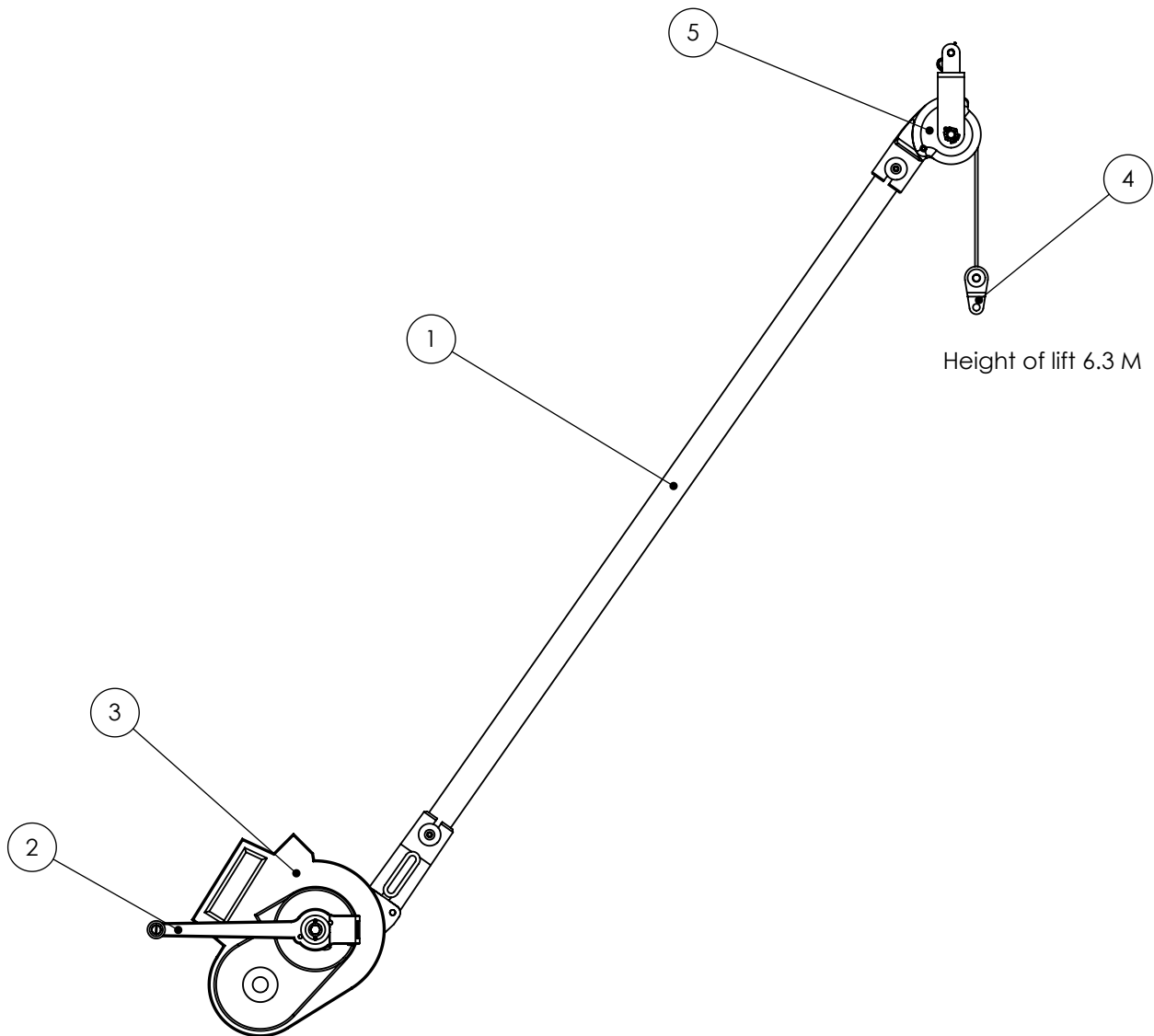
World class lifting and handling solutions

Description :- A350 NLG Actuator and Drag Strut Hoist

Didsbury Engineering Co Ltd

Telephone: +44 (0)161 486 2200
Facsimile: +44 (0)161 486 2211
Email: sales@didsbury.com
Web: www.didsbury.com

ITEM NO.	PART NUMBER	DESCRIPTION	QTY.
1	41/102	EXTENSION TUBE ASSY - 48"	1
2	41/163	WINDING HANDLE ASSEMBLY	1
3	42/1	WINDING MECHANISM	1
4	42/484	SHACKLE ASSEMBLY	1
5	42/662	TOP SHEATH ASSEMBLY	1



SWL: 254 Kg
APPROX SELF WEIGHT: 17 Kg