

AIRCRAFT APPLICATION SHEET FOR: 42/649

REV 3 3/03/14 ECN 200

EMBRAER 170/175/190/195 APU HOIST KIT

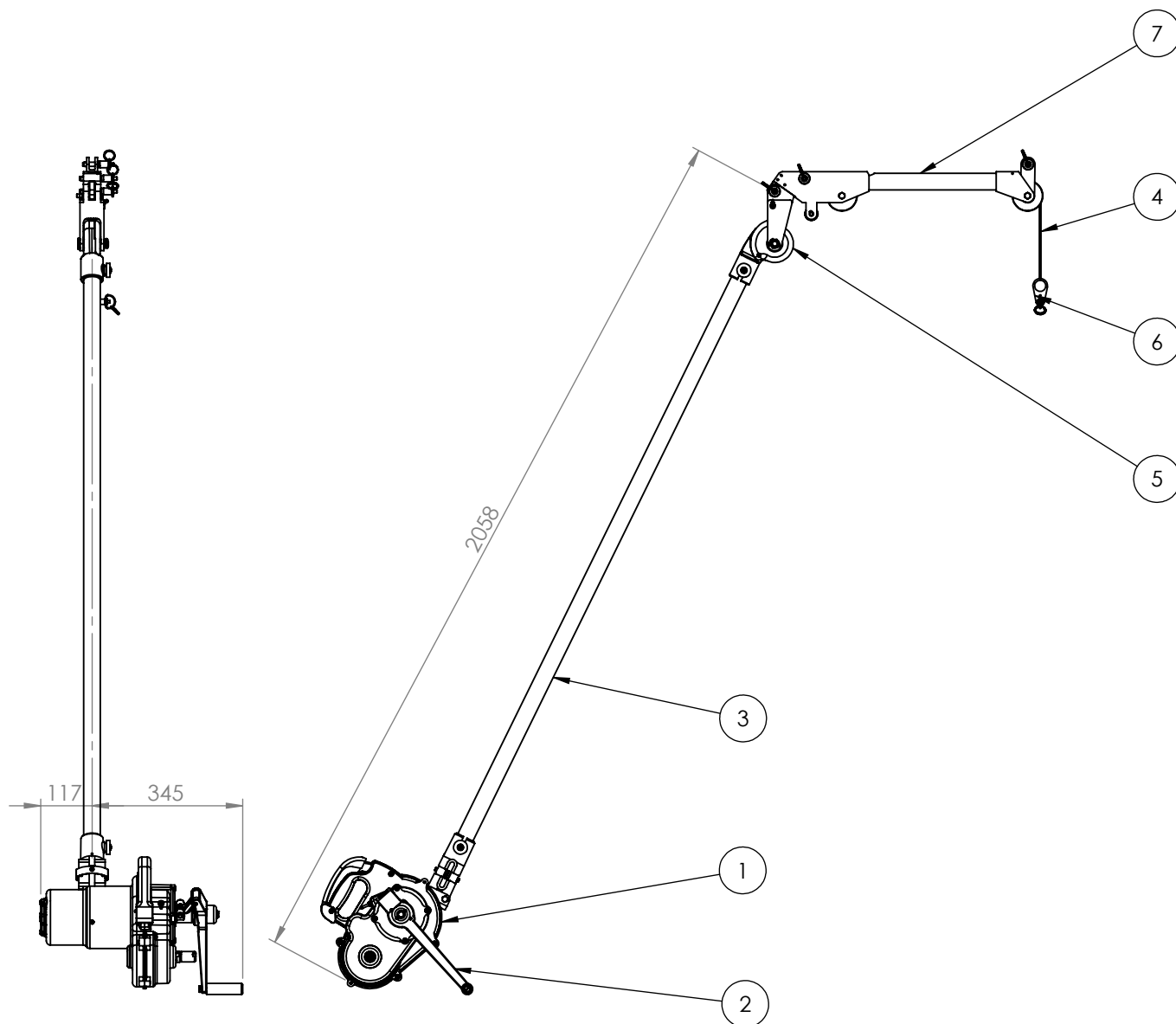


World class lifting and handling solutions

Didsbury Engineering Co Ltd

Telephone: +44 (0)161 486 2200
Facsimile: +44 (0)161 486 2211
Email: sales@didsbury.com
Web: www.didsbury.com

ITEM NO.	PART No.	DESCRIPTION	QTY.
1	42/1	254kg WINDING MECHANISM	1
2	41/163	9" WINDING HANDLE	1
3	41/103	1524mm EXTENSION TUBE	1
4	42/20	Ø 4.0mm CABLE ASSEMBLY (FOR REFERENCE ONLY)	1
5	42/654	TOP SHEATH ASSEMBLY	1
6	42/659	SHACKLE - 254kg	1
7	AGE-01148-401	BAR - APU HOISTING - NOT SUPPLIED WITH KIT	1



SWL: 254kg
HEIGHT OF LIFT 5170mm
WEIGHT 15kg