

AIRCRAFT APPLICATION SHEET FOR: 42/633

HOIST KIT FOR A380 STAIR INSTALLATION

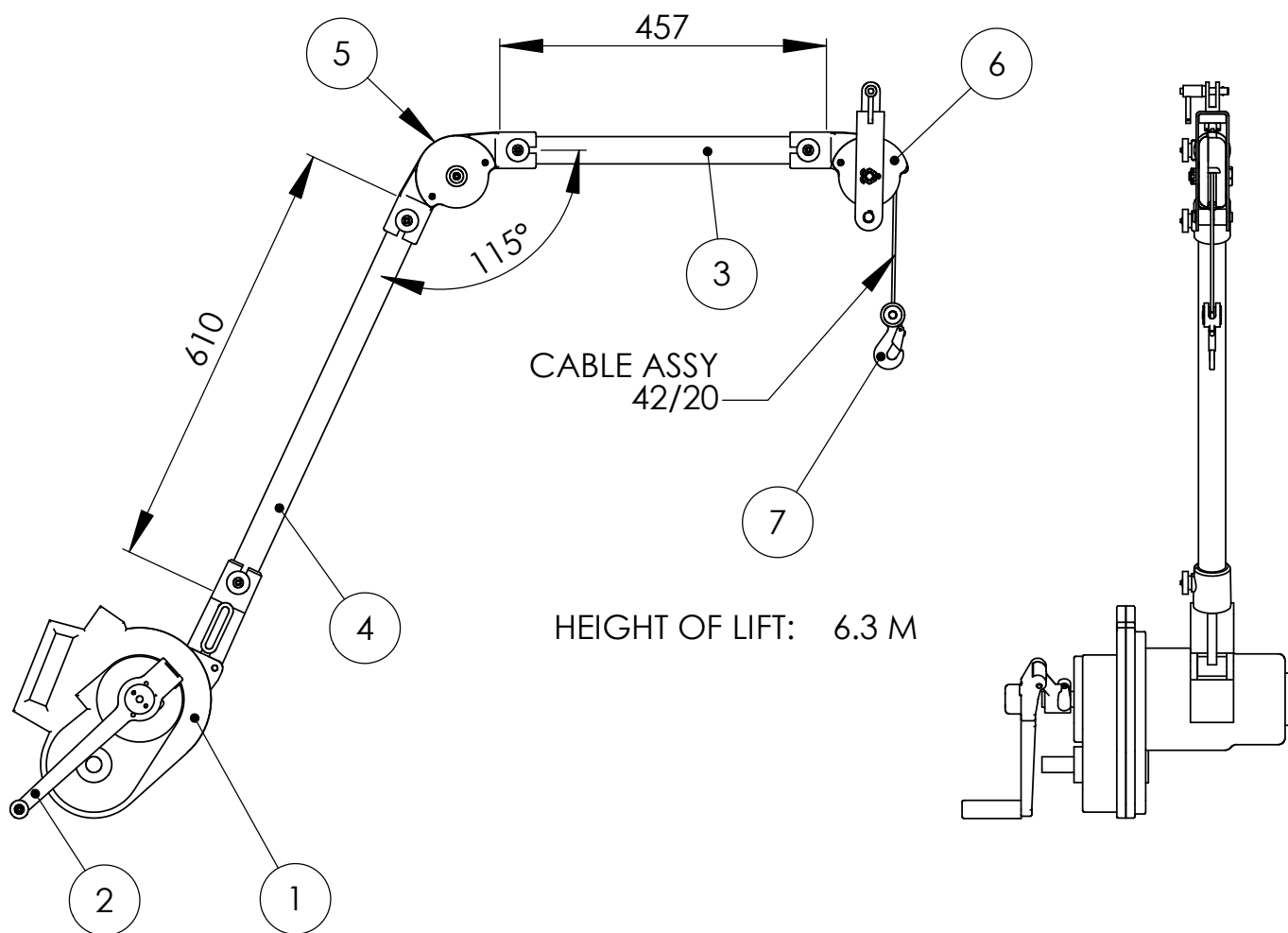
didsbury

WORLD CLASS LIFTING AND HANDLING SOLUTIONS

Didsbury Engineering Co Ltd

Telephone: +44 (0)161 224 6224
Facsimile: +44 (0)161 224 2098
Email: sales@didsbury.com
Web: www.didsbury.com

1	x1	42/1	WINDING MECHANISM
2	x1	41/163	HANDLE ASSEMBLY
3	x1	41/106	EXTENSION TUBE ASSEMBLY 457 MM (18 IN)
4	x1	41/100	EXTENSION TUBE ASSEMBLY 610 MM (24 IN)
5	x1	42/49	ANGLE CHANGER 115°
6	x1	42/355	TOP SHEATH ASSEMBLY
7	x1	41/76	DETACHABLE HOOK ASSEMBLY



SWL: SINGLE FALL - 254 kg DOUBLE FALL - 508 kg
WEIGHT: 17 kg