

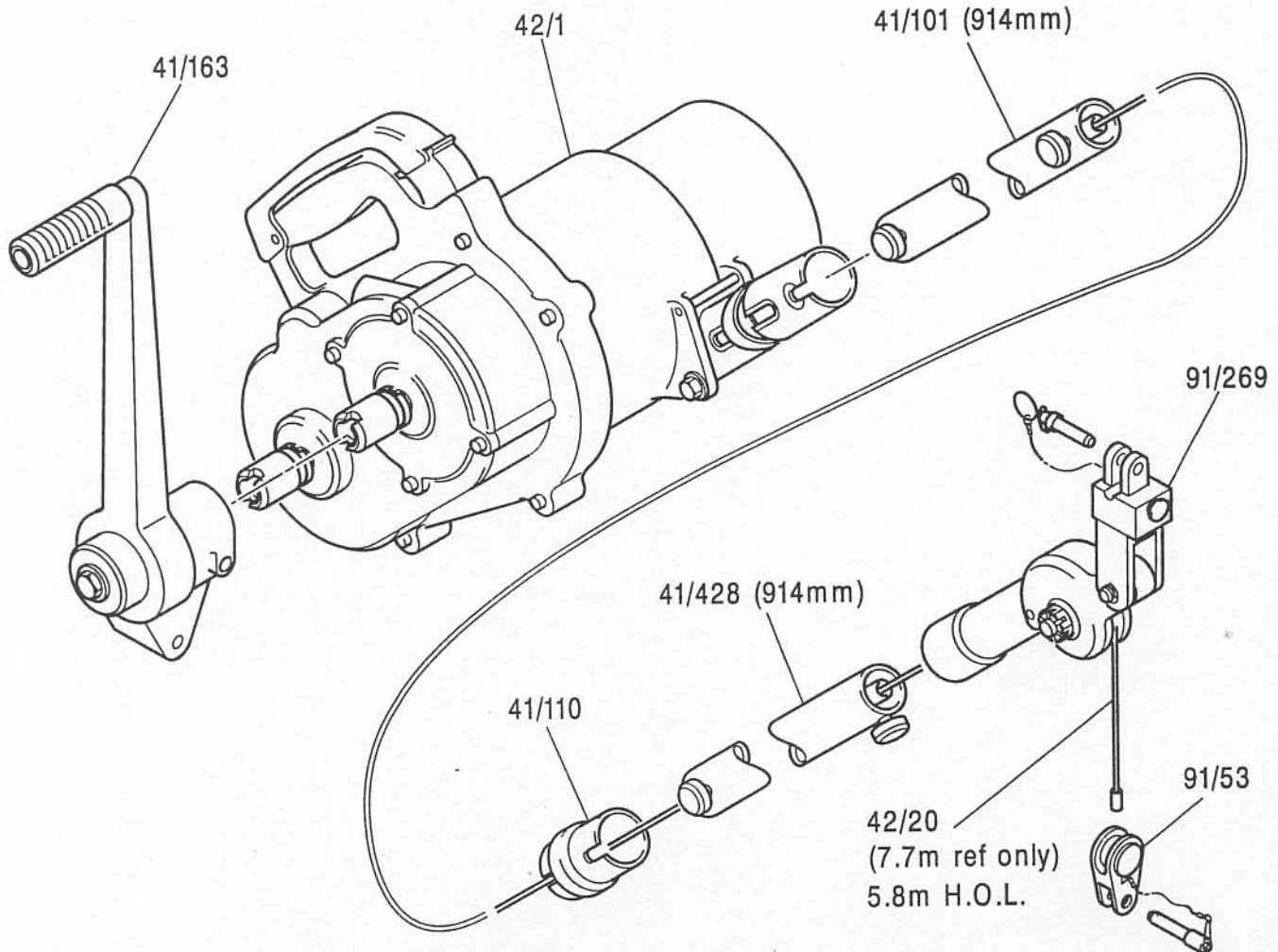
World class lifting and handling solutions

AIRCRAFT APPLICATION SHEET 112

ALT. BOEING 747 APU etc.

(A1/42/459) comprising:

- | | |
|------------|-------------------------------|
| 1 x 42/1 | Winding Mechanism 250kg SWL |
| 1 x 41/163 | Winding Handle 230mm |
| 1 x 41/101 | Extension Tube 914mm |
| 1 x 41/110 | Tube Coupling |
| 1 x 41/428 | Extension Tube (Type 1) 914mm |
| 1 x 91/269 | Top Sheath |
| 1 x 42/20 | Cable |
| 1 x 91/53 | Shackle |



3-OFF SETS/TOTAL KIT
(2 WITH FORK, 1 WITH BUTTON)
NOTE: USE OF STAGING REQUIRED