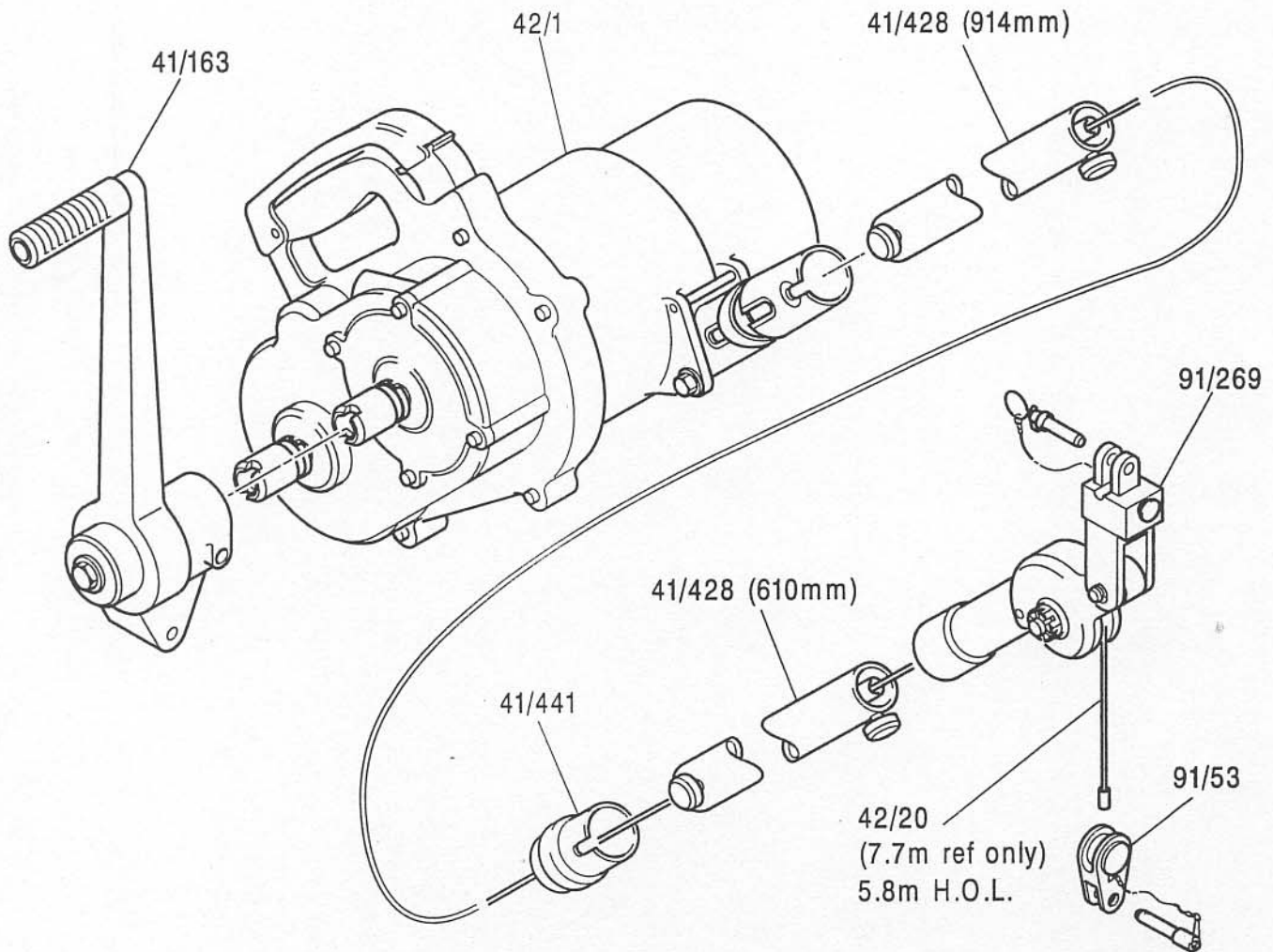


# didsbury

World class lifting and handling solutions

## AIRCRAFT APPLICATION SHEET 121 BOEING 757/767 APU & BATTERY etc. (A1/42/449) comprising:

1 x 42/1	Winding Mechanism 250kg SWL
1 x 41/163	Winding Handle 230mm
1 x 41/428	Extension Tube (Type 1) 914mm
1 x 41/441	Tube Coupling
1 x 41/428	Extension Tube (Type 2) 610mm
1 x 91/269	Top Sheath
1 x 42/20	Cable
1 x 91/53	Shackle



2-OFF SETS/TOTAL KIT

NOTE: USE OF STAGING REQUIRED