

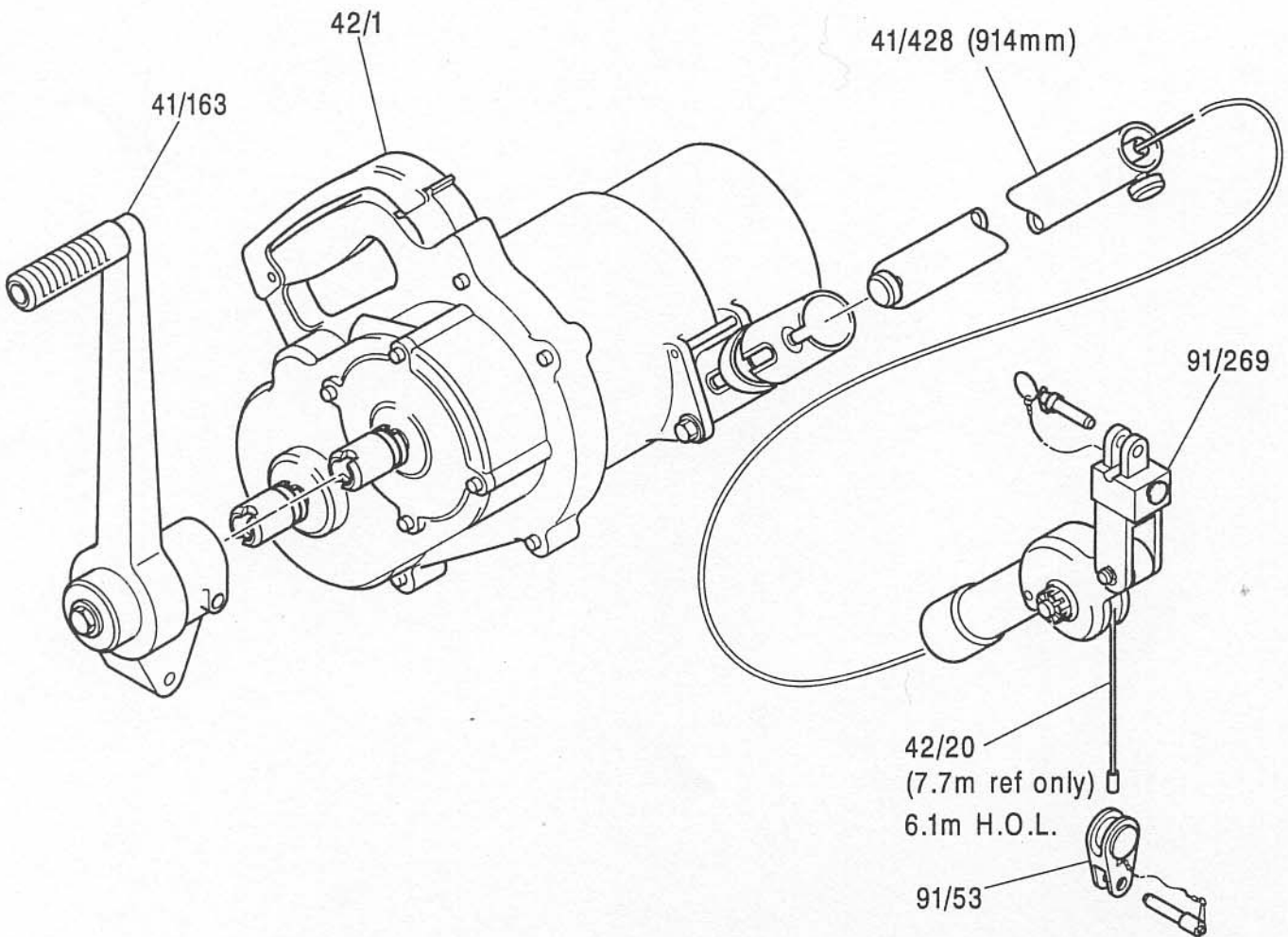


World class lifting and handling solutions

AIRCRAFT APPLICATION SHEET 101

BOEING 737 A.P.U. etc.
(A1/42/440) comprising:

- 1 x 42/1 Winding Mechanism 250kg SWL
- 1 x 41/163 Winding Handle 230mm
- 1 x 41/428 Extension Tube 914mm
- 1 x 91/269 Top Sheath
- 1 x 42/20 Cable
- 1 x 91/53 Shackle



2-OFF SETS/TOTAL KIT

NOTE: USE OF STAGING REQUIRED