

# AIRCRAFT APPLICATION SHEET FOR: 41/492



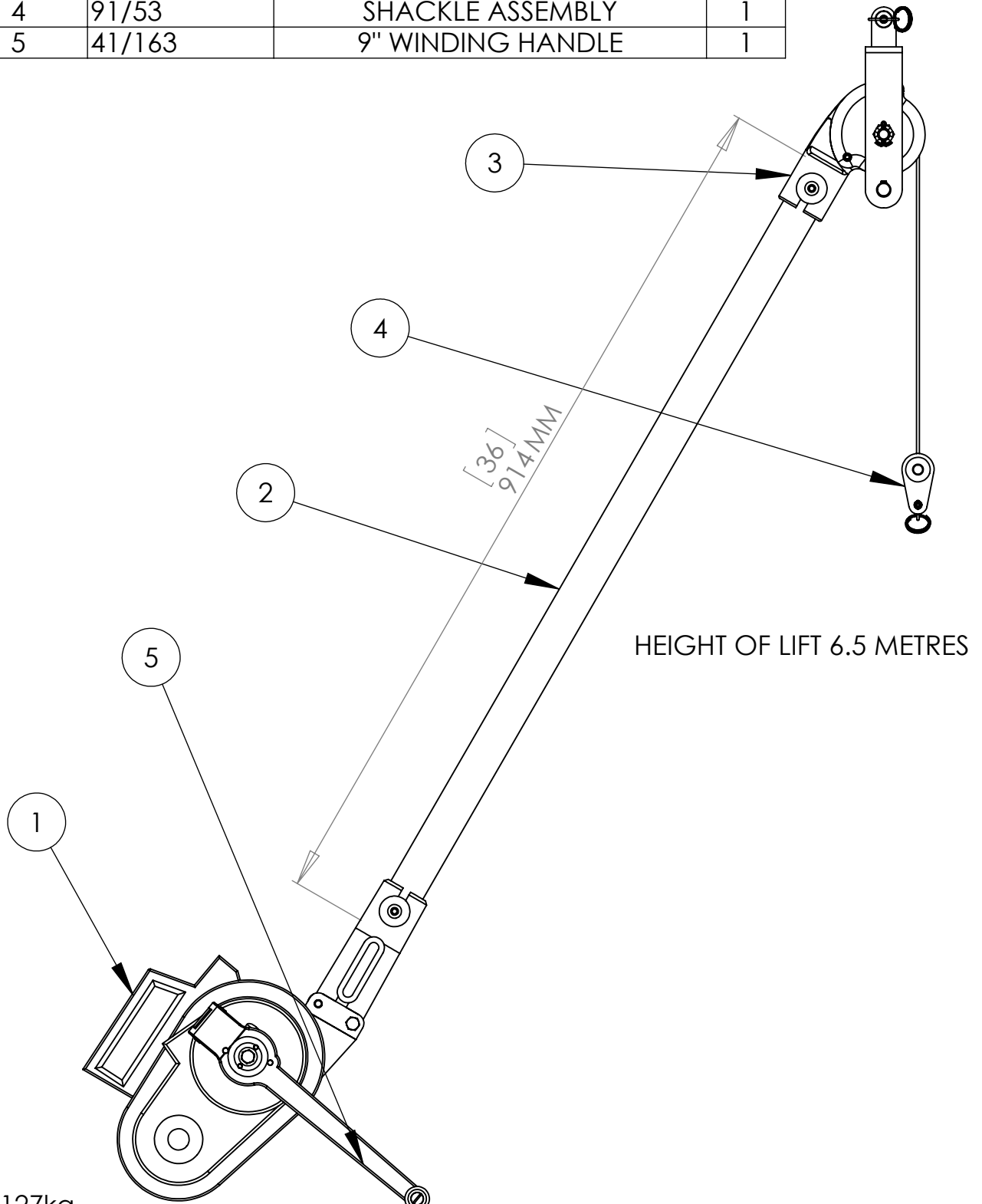
WORLD CLASS LIFTING AND HANDLING SOLUTIONS

**Didsbury Engineering Co Ltd**

Telephone: +44 (0)161 486 2200  
Facsimile: +44 (0)161 486 2211  
Email: sales@didsbury.com  
Web: www.didsbury.com

## HOIST ASSEMBLY DASSAULT FALCON 7X (AIR CONDITIONING UNIT HOIST)

ITEM NO.	PART NUMBER	DESCRIPTION	QTY.
1	41/5	WINDING MECHANISM	1
2	41/101	914mm EXTENSION TUBE	1
3	42/355	TOP SHEATH ASSEMBLY	1
4	91/53	SHACKLE ASSEMBLY	1
5	41/163	9" WINDING HANDLE	1



SWL: 127kg  
WEIGHT: 13kg