

AIRCRAFT APPLICATION SHEET

100/60 HOIST KIT

A300-600 MAIN LANDING GEAR ACTUATOR

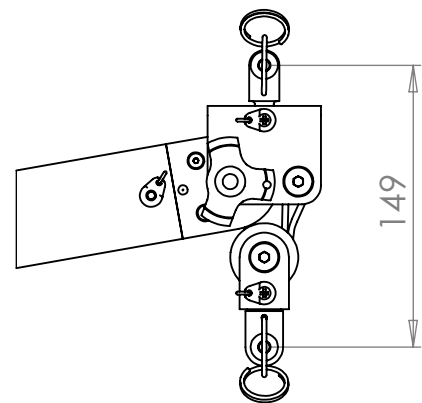
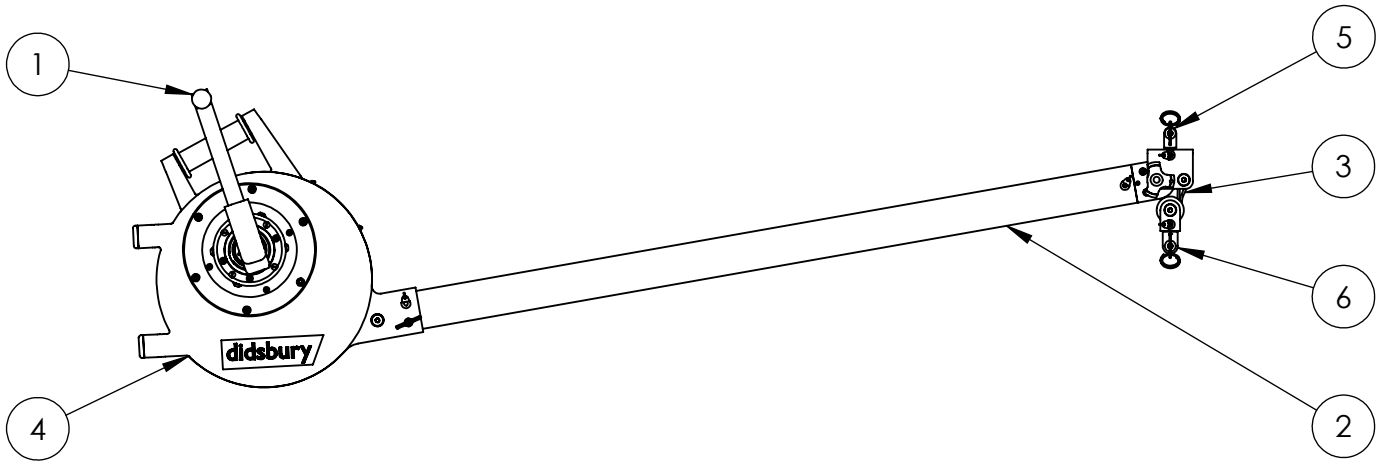


World class lifting and handling solutions

Didsbury Engineering Co Ltd

Telephone: +44 (0)161 486 2200
 Facsimile: +44 (0)161 486 2211
 Email: sales@didsbury.com
 Web: www.didsbury.com

| ITEM NO. | PART No. | DESCRIPTION | QTY. |
|----------|----------|--|------|
| 1 | 92/274 | WINDING HANDLE | 1 |
| 2 | 100/31T2 | 1000mm LONG BASE TUBE ASSEMBLY | 1 |
| 3 | 100/40 | 25mm WIDE x 17m LONG STRAP - WLL 100KG | 1 |
| 4 | 100/43 | TAPE HOIST WINDING MECHANISM | 1 |
| 5 | 100/61 | DOUBLE FALL TOP SHEATH ASSEMBLY | 1 |
| 6 | 100/63 | DOUBLE FALL SHACKLE ASSEMBLY | 1 |



HEIGHT OF LIFT: 7.5m
 SWL: 200kg
 WEIGHT: 10kg

DRAWN: ADB DATE: 25/06/14 REV. 3