

**AIRCRAFT APPLICATION SHEET**  
**41/527 HOIST KIT**  
**SUKHOI SUPERJET 100 APU HOIST KIT**

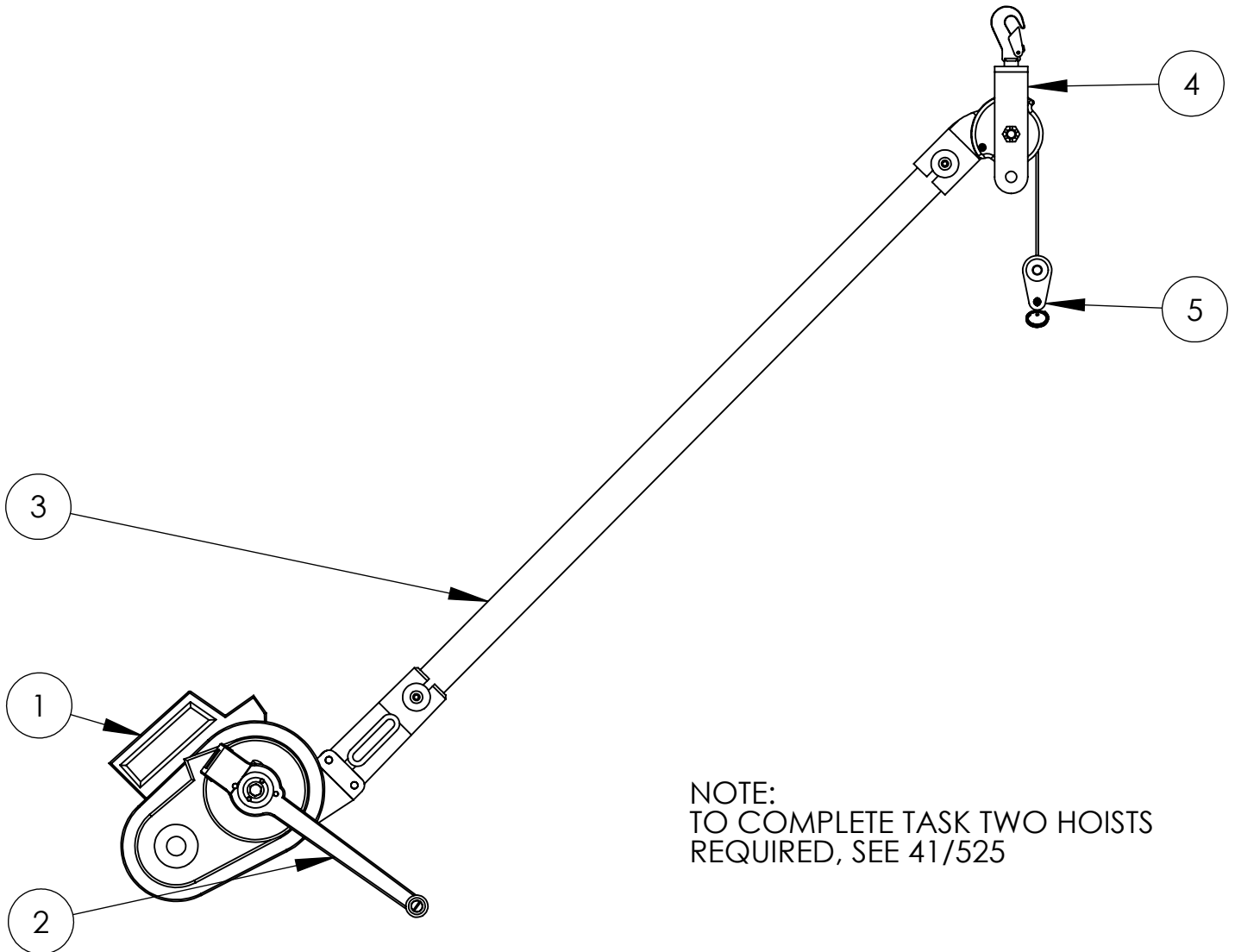


World class lifting and handling solutions

**Didsbury Engineering Co Ltd**

Telephone: +44 (0)161 486 2200  
 Facsimile: +44 (0)161 486 2211  
 Email: sales@didsbury.com  
 Web: www.didsbury.com

ITEM NO.	PART No.	DESCRIPTION	QTY.
1	41/5	WINDING MECHANISM	1
2	41/163	9" WINDING HANDLE	1
3	41/101	914mm EXTENSION TUBE	1
4	41/358	TOP SHEATH ASSEMBLY	1
5	91/53	SHACKLE	1



NOTE:  
 TO COMPLETE TASK TWO HOISTS  
 REQUIRED, SEE 41/525

HEIGHT OF LIFT: 6.25m  
 SWL: 127Kg per Hoist  
 WEIGHT: 13.5Kg per Hoist

DRAWN: VW    DATE: 25/06/13    REV. 2