

**AIRCRAFT APPLICATION SHEET**  
**41/526 HOIST KIT**  
**SUKHOI SUPERJET 100 THS ACTUATOR**

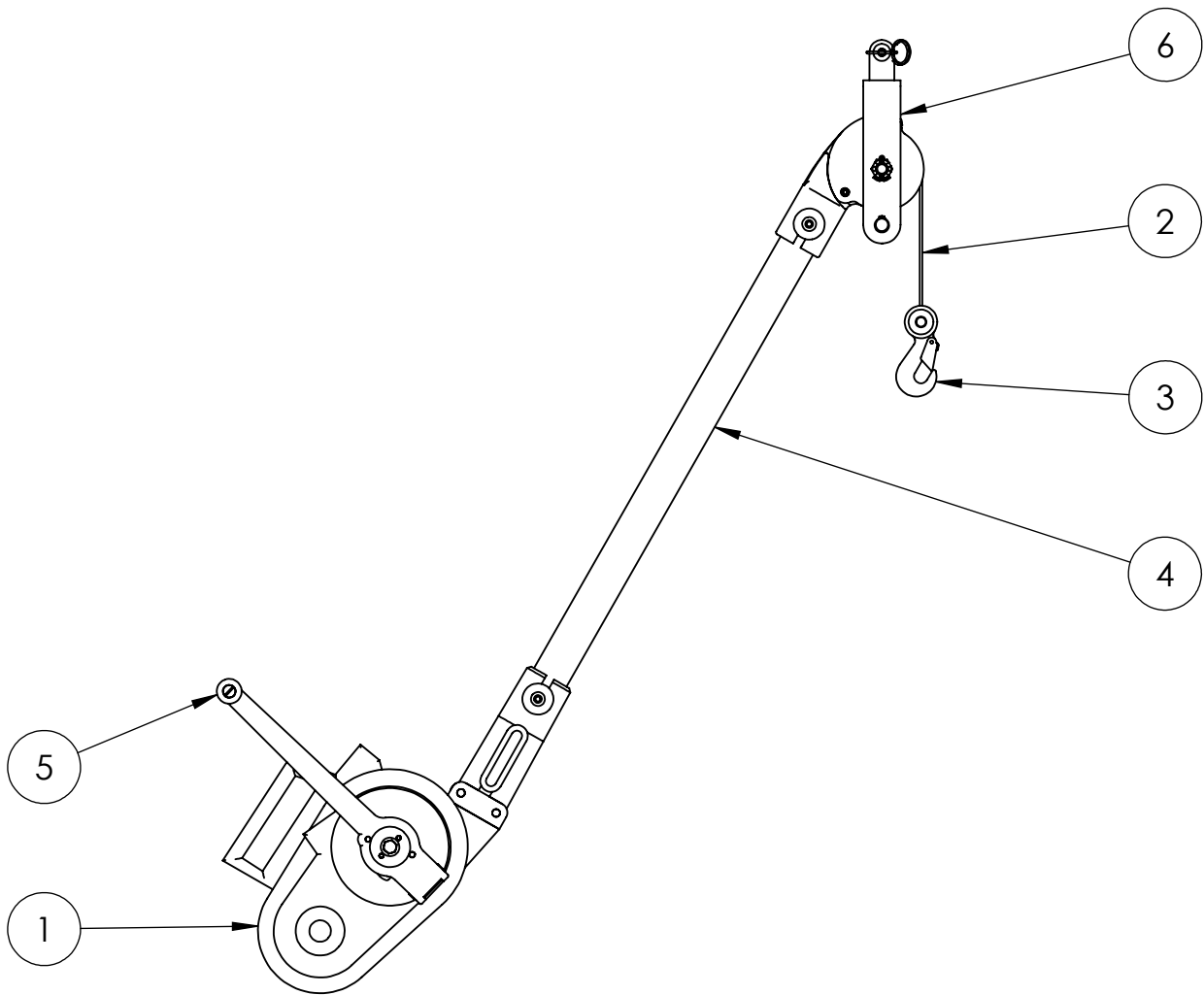


World class lifting and handling solutions

**Didsbury Engineering Co Ltd**

Telephone: +44 (0)161 486 2200  
 Facsimile: +44 (0)161 486 2211  
 Email: sales@didsbury.com  
 Web: www.didsbury.com

ITEM NO.	PART No.	DESCRIPTION	QTY.
1	41/5	WINDING MECHANISM	1
2	41/32	CABLE ASSEMBLY - FOR REFERENCE ONLY	1
3	41/76	DETACHABLE HOOK ASSEMBLY	1
4	41/100	610mm EXTENSION TUBE	1
5	41/163	9" WINDING HANDLE	1
6	42/355	TOP SHEATH ASSEMBLY	1



HEIGHT OF LIFT: 6.5m  
 SWL: 127kg  
 WEIGHT: 15kg

DRAWN:      DATE:      REV. 2