

**AIRCRAFT APPLICATION SHEET**  
**41/525 HOIST KIT**  
**SUKHOI SUPERJET 100 APU HOIST KIT**

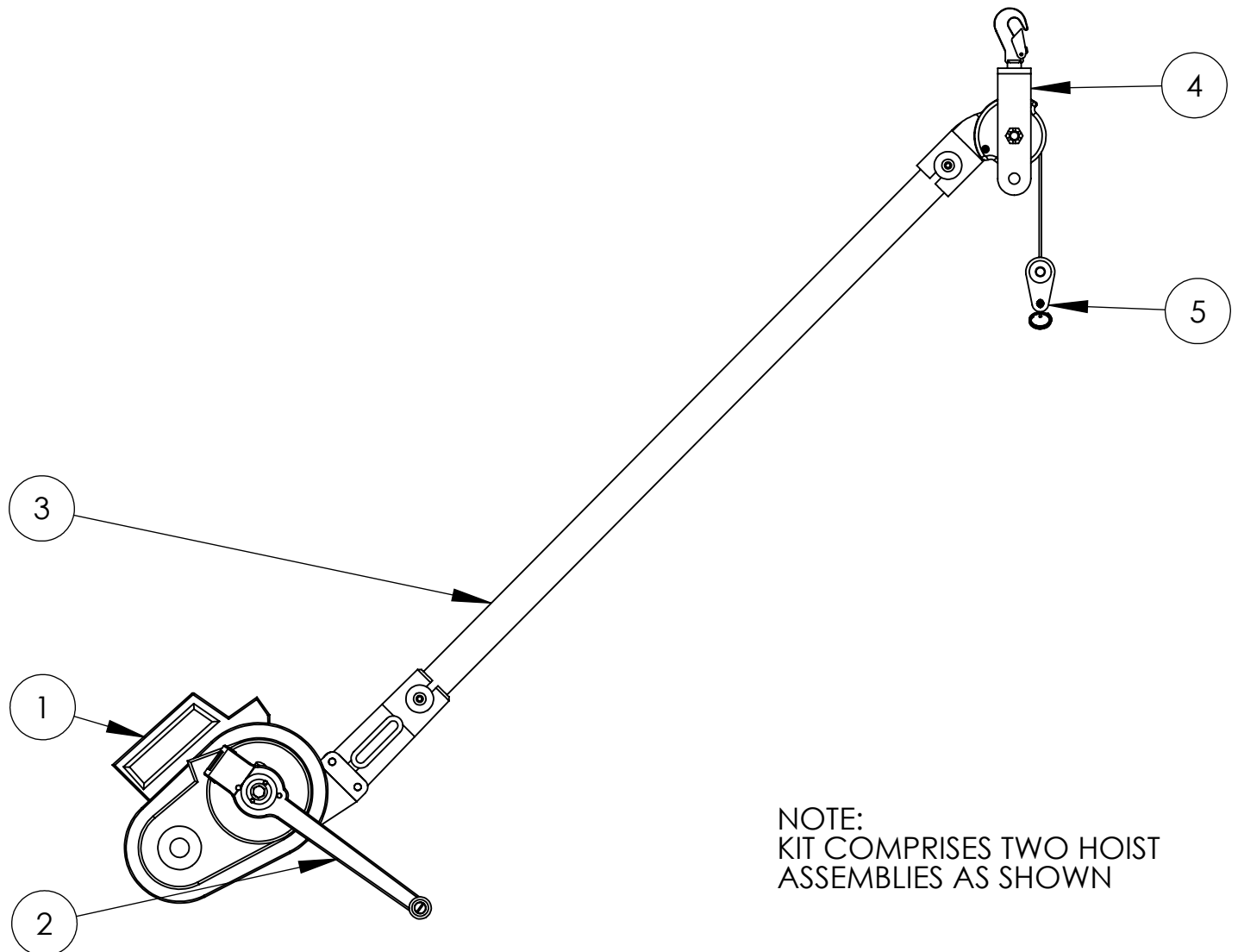


World class lifting and handling solutions

**Didsbury Engineering Co Ltd**

Telephone: +44 (0)161 486 2200  
 Facsimile: +44 (0)161 486 2211  
 Email: sales@didsbury.com  
 Web: www.didsbury.com

ITEM NO.	PART No.	DESCRIPTION	QTY.
1	41/5	WINDING MECHANISM	2
2	41/163	9" WINDING HANDLE	2
3	41/101	914mm EXTENSION TUBE	2
4	41/358	TOP SHEATH ASSEMBLY	2
5	91/53	SHACKLE	2



NOTE:  
 KIT COMPRISES TWO HOIST  
 ASSEMBLIES AS SHOWN

HEIGHT OF LIFT: 6.25m  
 SWL: 127Kg per Hoist  
 WEIGHT: 13.5Kg per Hoist

DRAWN: VW    DATE: 25/06/13    REV. 2