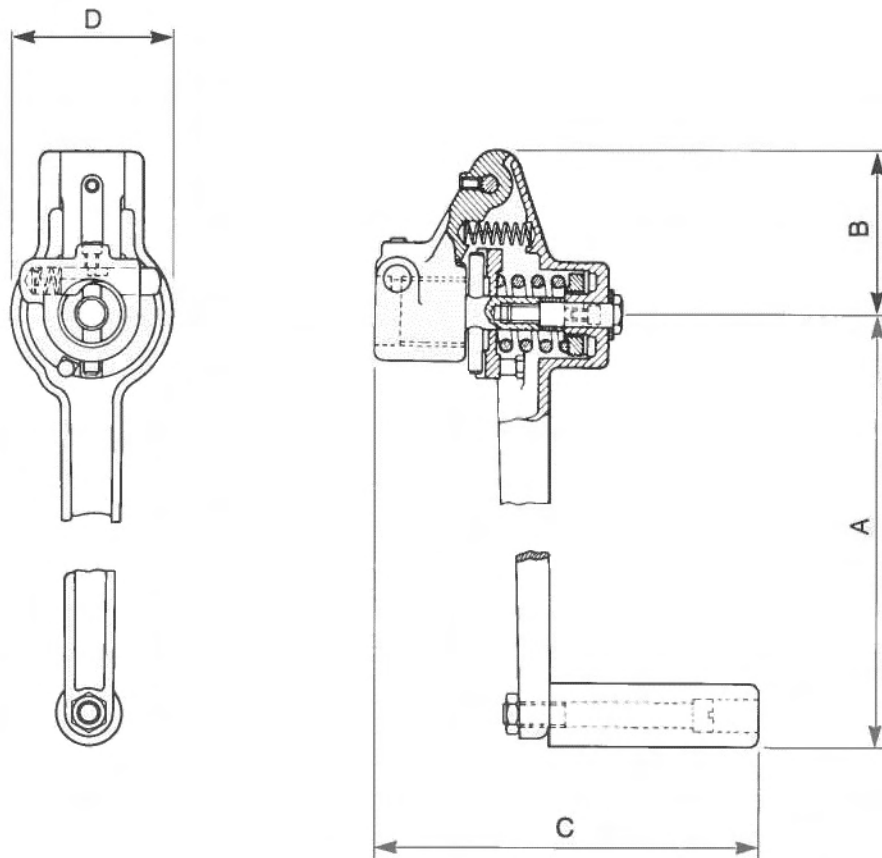




Winding Handle



SPECIFICATION

Code No.	Size	Maximum Handle Load	A	B	C	D	Wt	Used with Hoist Code Numbers
41/163	230 mm 9 in	5.8 kg 13 lb	241 mm 9.5 in	63.5 mm 2.5 in	151 mm 5.9 in	60.5 mm 2.38 in	0.75 kg 1.62 lb	41/5, 42/1, 43/1, 43/159 44/80, 54/1 and 60/1
41/164	152 mm 6 in	8.7 kg 19 lb	165 mm 6.5 in	63.5 mm 2.5 in	151 mm 5.9 in	60.5 mm 2.38 in	0.7 kg 1.50 lb	
91/83	230 mm 9 in	5.8 kg 13 lb	241 mm 9.5 in	63.5 mm 2.5 in	151 mm 5.9 in	60.5 mm 2.38 in	0.75 kg 1.62 lb	91/17
91/84	230 mm 9 in	5.8 kg 13 lb	241 mm 9.5 in	63.5 mm 2.5 in	151 mm 5.9 in	60.5 mm 2.38 in	0.75 kg 1.62 lb	91/16