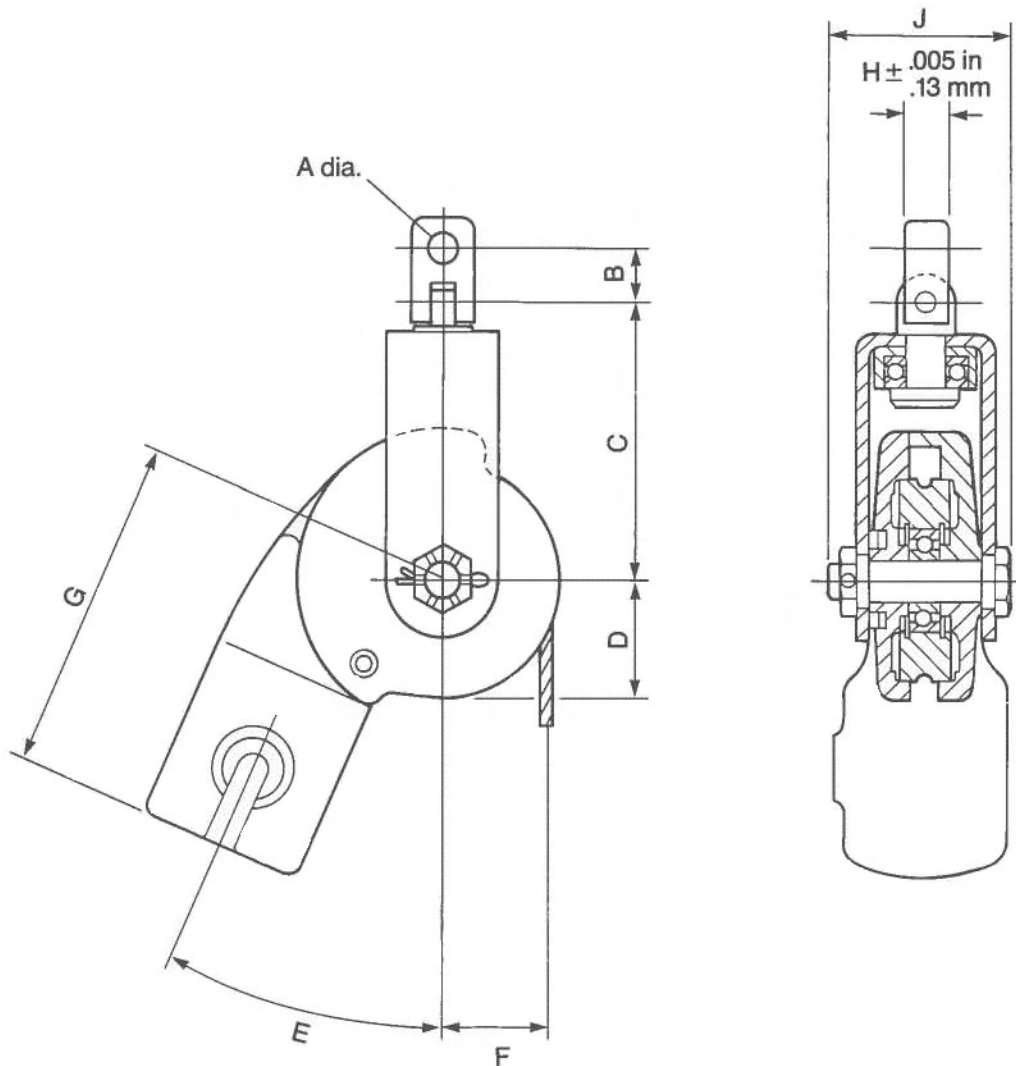




# Top Sheath Clevis

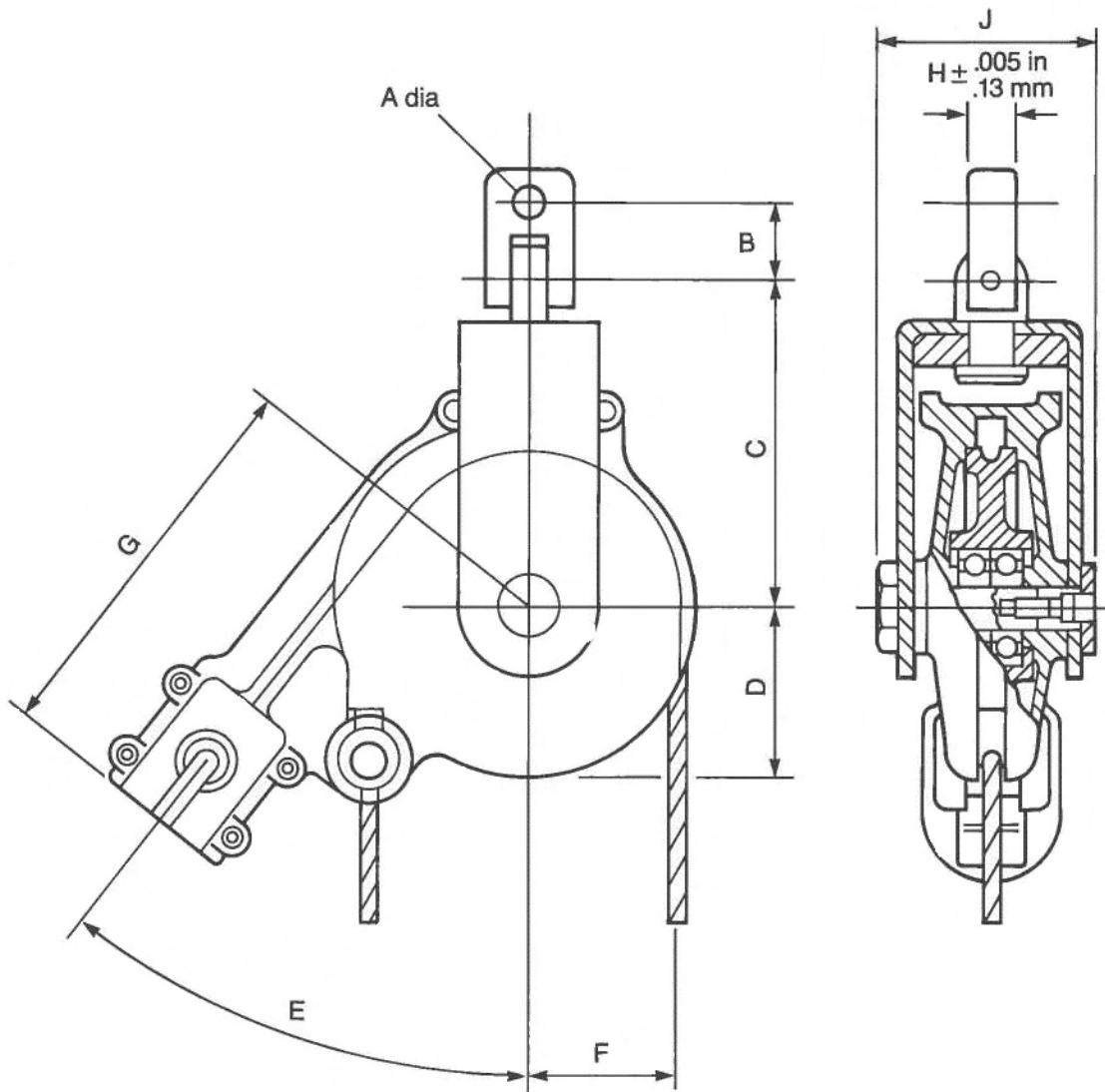


## SPECIFICATION

Code No.	Capacity	A	B	C	D	E	F	G	H	J	Cable Length	Weight
<b>42/391</b>	254 kg 560 lb	12.7 mm 0.5 in	28.5 mm 1.125 in	98.5 mm 3.875 in	43 mm 1.69 in	25°	36 mm 1.4 in	111 mm 4.375 in	15.37 mm .605 in	60 mm 2.375 in	216 mm 8.5 in	1.3 kg 2.8 lbs



# Top Sheath Clevis

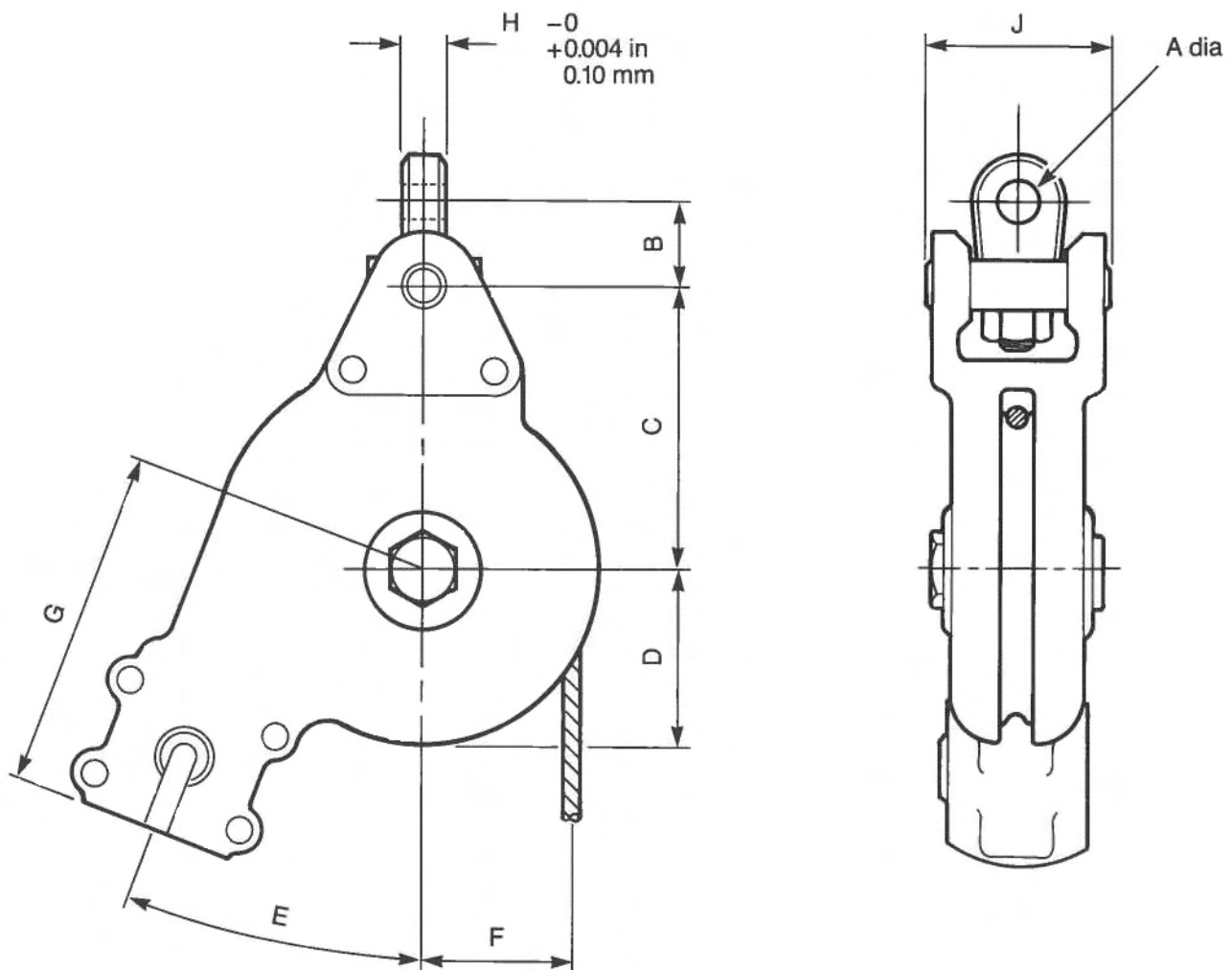


## SPECIFICATION

Code No.	Capacity		A	B	C	D	E	F	G	H	J	Cable Length	Weight
	Single fall	Double fall											
<b>43/511</b>	508 kg 1120 lb	—	12.7 mm 0.5 in	29 mm 1.125 in	114 mm 4.5 in	64 mm 2.5 in	25°	54 mm 2.125 in	159 mm 6.25 in	1537 mm .605 in	52 mm 2.03 in	311 mm 12.25 in	3.06 kg 6.75 lb
<b>54/1068</b>	914 kg 2016 lb	1828 kg 4032 lb	12.7 mm 0.5 in	50.8 mm 2 in	167 mm 6.56 in	75 mm 2.94 in	35°	67 mm 2.625 in	171 mm 6.75 in	1588 mm .625 in	114 mm 4.5 in	355 mm 14 in	3.5 kg 7.7 lb



# Top Sheath Clevis



## SPECIFICATION

Code No.	Capacity	A	B	C	D	E	F	G	H	J	Cable Length	Weight
<b>44/350</b>	1270 kg	20.0 mm	37.4 mm	127 mm	76 mm	25°	67.5 mm	152 mm	19.75 mm	86 mm	343 mm	4.5 kg
	2800 lb	0.787 in	1.47 in	5 in	3 in		2.7 in	6 in	0.78 in	3.375 in	13.5 in	9.92 lb