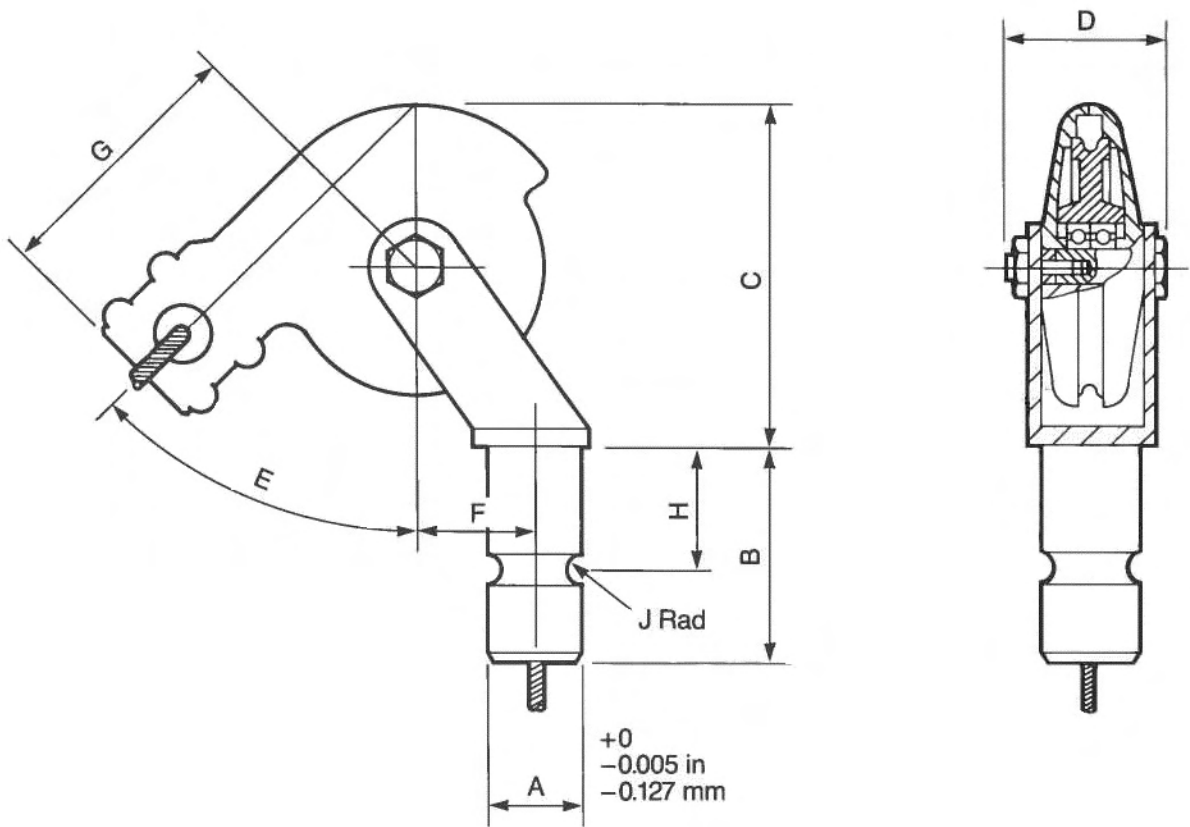




# Top Sheath Spigot

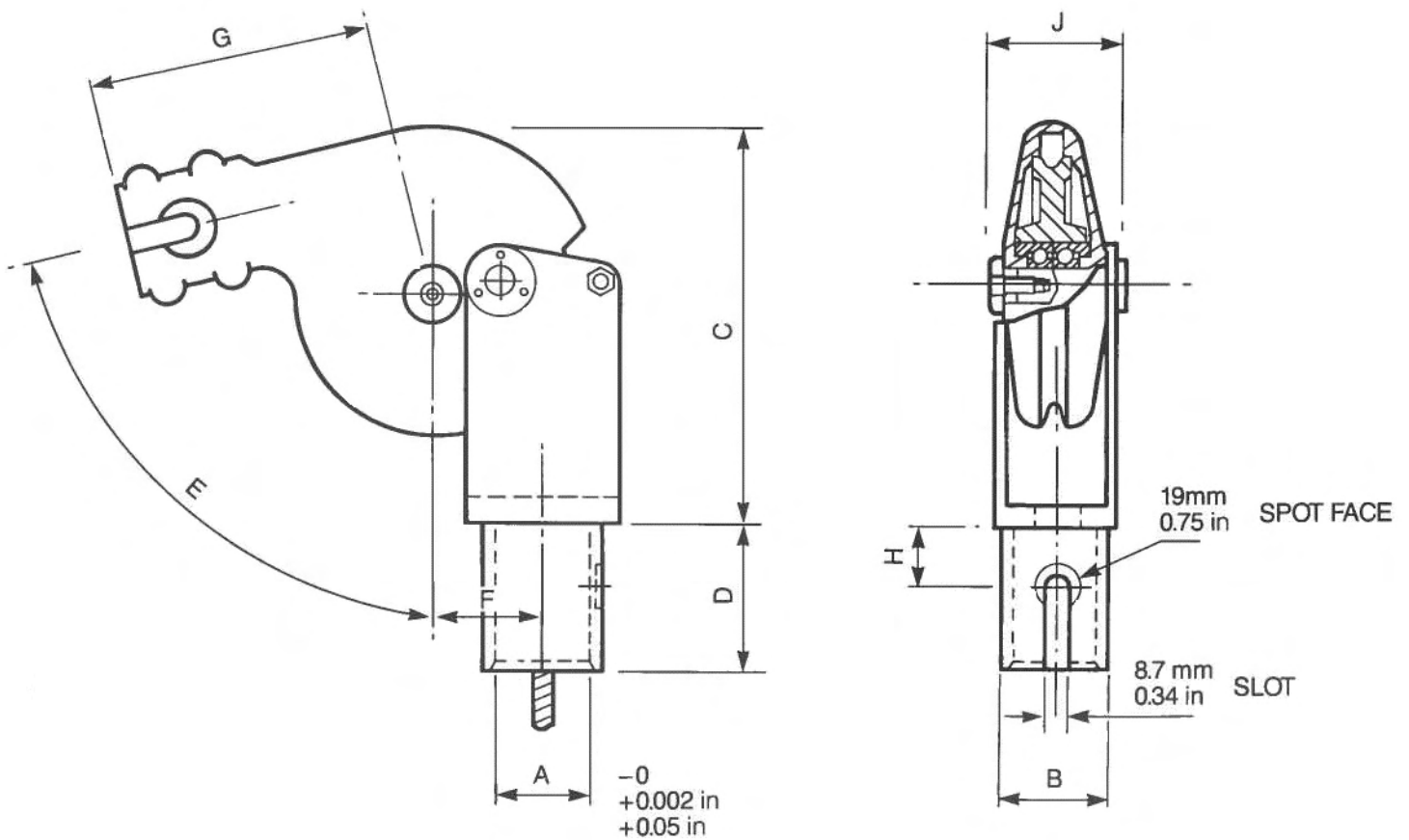


## SPECIFICATION

Code No.	Capacity	A	B	C	D	E	F	G	H	J	Cable Length	Weight
<b>41/328</b>	127 kg	31.623 mm	73 mm	95 mm	57 mm	0-90°	30.2 mm	103 mm	38.1 mm	4.8 mm	270 mm	1.2 kg
	280 lb	1.245 in	2.875 in	3.75 in	2.25 in		1.19 in	4.06 in	1.5 in	.188 in	10.6 in	2.6 lb



# Top Sheath Spigot



## SPECIFICATION

Code No.	Capacity	A	B	C	D	E	F	G	H	J	Cable Length	Weight
<b>54/732</b>	914 kg 2016 lb	44.45 mm 1.75 in	57 mm 2.25 in	186 mm 7.3 in	63.5 mm 2.5 in	78°30'	67 mm 2.64 in	152 mm 6 in	31.75 mm 1.25 in	67 mm 2.63 in	432 mm 17 in	4.5 kg 9.9 lb