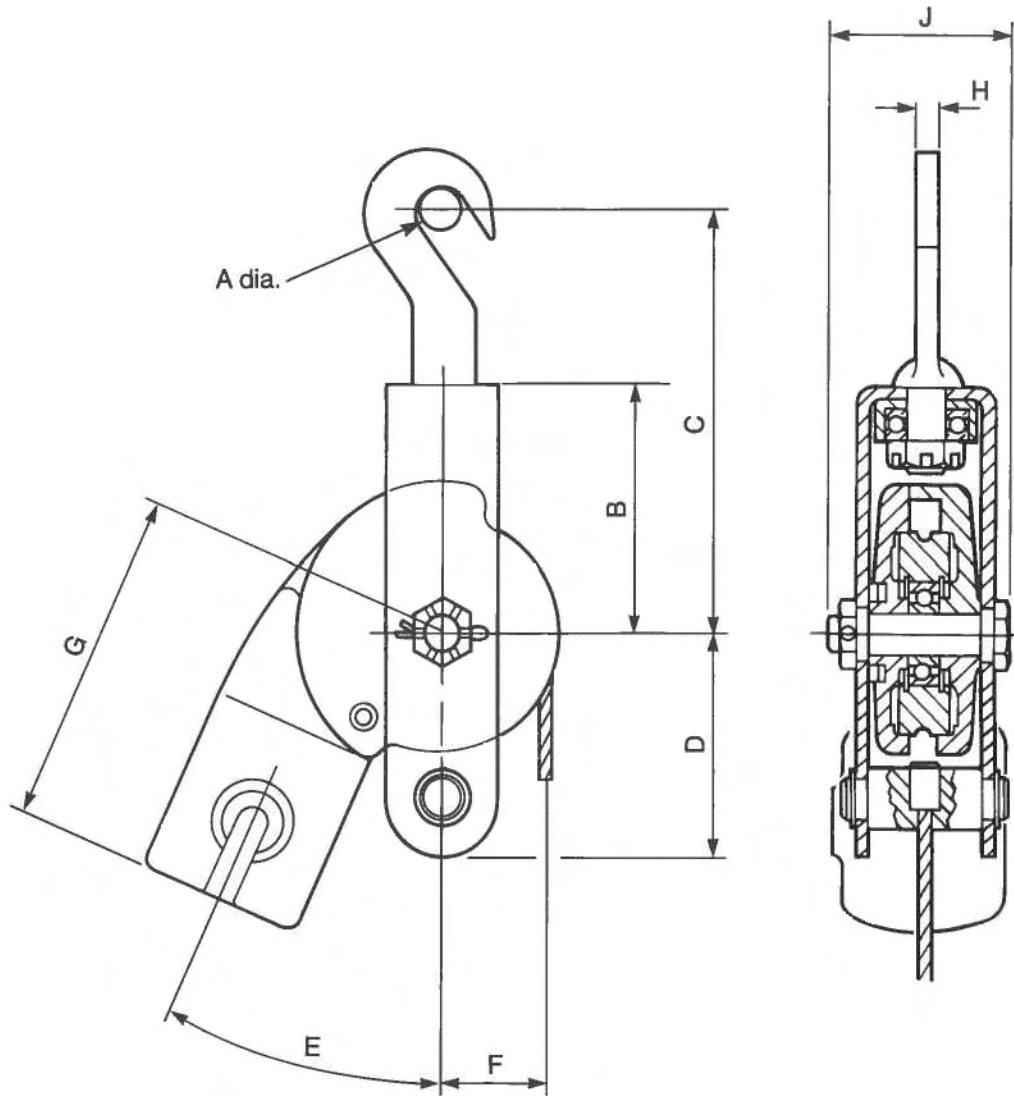




Top Sheath Hook

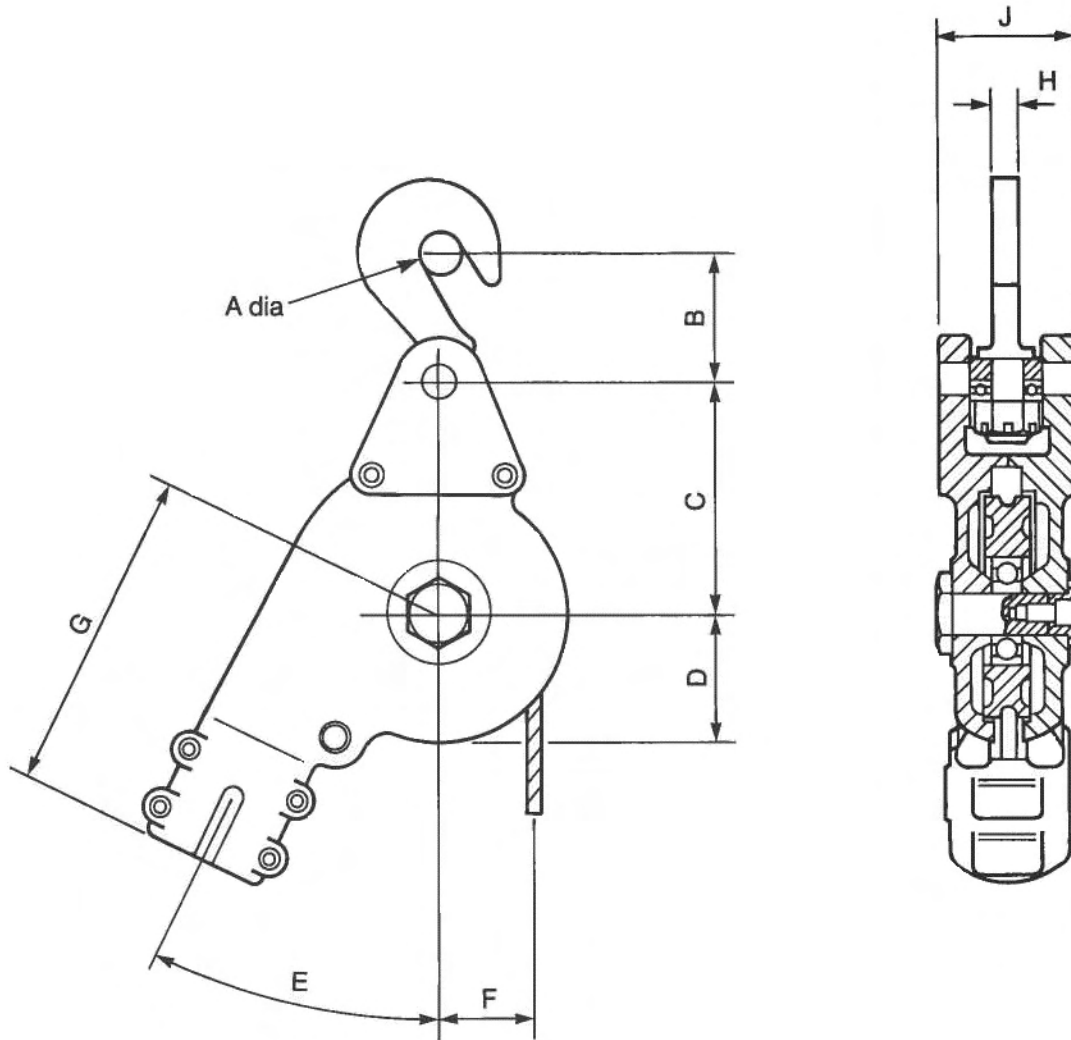


SPECIFICATION

Code No.	Capacity		A	B	C	D	E		F	G	H	J	Cable Length	Weight
	Single fall	Double fall					max	min						
41/63	127 kg 280 lb	254 kg 560 lb	14.3 mm .563 in	77.8 mm 3.06 in	122.2 mm 4.8 in	66.7 mm 2.63 in	90°	15°	30.2 mm 1.19 in	103.2 mm 4.06 in	6.4 mm .25 in	55.6 mm 2.19 in	178 mm 7 in	1.16 kg 2.56 lb
42/27	254 kg 560 lb	508 kg 1120 lb	14.3 mm .563 in	90.5 mm 3.56 in	134.9 mm 5.3 in	76.2 mm 3 in	90°	15°	36.5 mm 1.44 in	111.1 mm 4.38 in	6.4 mm .25 in	61.9 mm 2.44 in	190.5 mm 7.5 in	1.5 kg 3.31 lb



Top Sheath Hook



SPECIFICATION

Code No.	Capacity		A	B	C	D	E	F	G	H	J	Cable Length	Weight
	Single fall	Double fall											
43/168	508 kg 1120 lb	1016 kg 2240 lb	206 mm .81 in	66.7 mm 2.63 in	114.3 mm 4.5 in	63.5 mm 2.5 in	25°	53.6 mm 2.11 in	158.8 mm 6.25 in	11.1 mm .44 in	66.7 mm 2.63 in	260.5 mm 10.25 in	3.22 kg 7.11 lb
54/101	914 kg 2016 lb	1828 kg 4032 lb	25.4 mm 1 in	76.2 mm 3 in	120.6 mm 4.75 in	76.2 mm 3 in	35°	66.7 mm 2.63 in	161.9 mm 6.38 in	12.7 mm .5 in	66.7 mm 2.63 in	305 mm 12 in	3.45 kg 7.6 lb
44/43	1270 kg 2800 lb	—	27 mm 1.06 in	74.6 mm 2.94 in	127 mm 5 in	76.2 mm 3 in	35°	67.6 mm 2.66 in	152.4 mm 6 in	12.7 mm .5 in	85.7 mm 3.38 in	343 mm 13.5 in	4.54 kg 10.0 lb
44/107	1270 kg 2800 lb	—	27 mm 1.06 in	74.6 mm 2.94 in	127 mm 5 in	76.2 mm 3 in	25°	67.6 mm 2.66 in	152.4 mm 6 in	12.7 mm .5 in	85.7 mm 3.38 in	368 mm 14.5 in	4.76 kg 10.5 lb