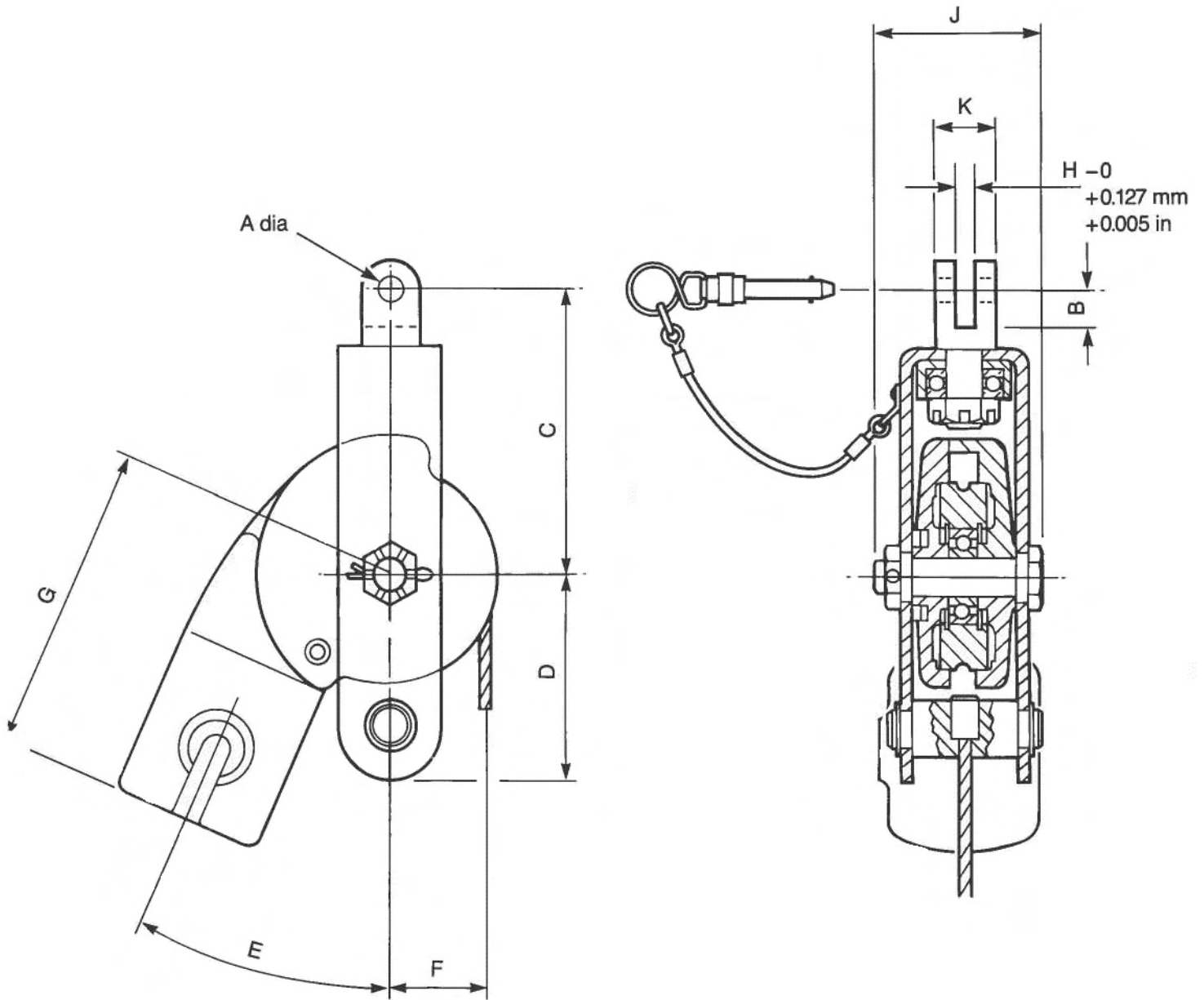




Top Sheath Fork

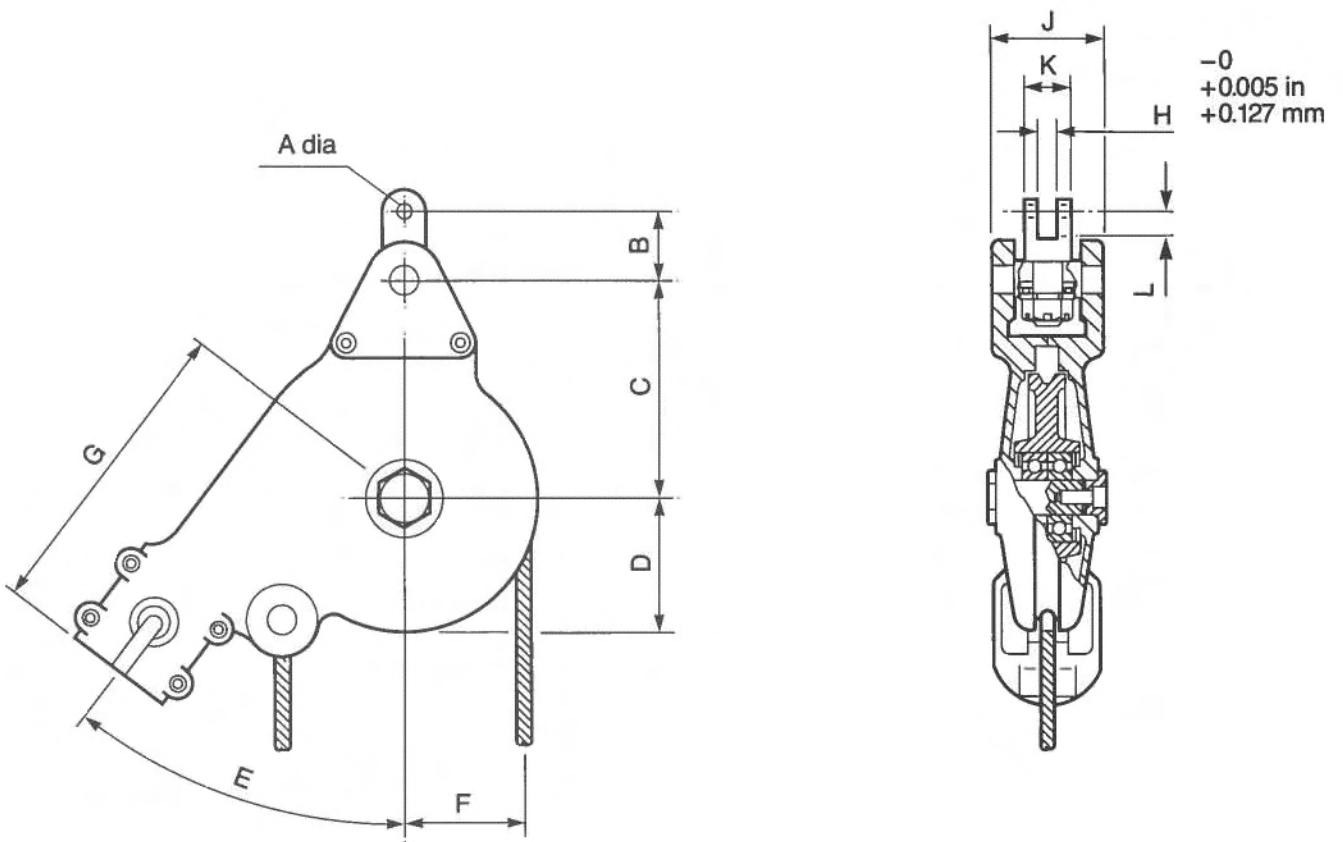


SPECIFICATION

Code No.	Capacity		A	B	C	D	E	F	G	H	J	K	Cable Length	Weight
	Single fall	Double fall												
42/355	254 kg 560 lb	508 kg 1120 lb	9.53 mm 0.375 in	22 mm 0.870 in	119 mm 4.7 in	76.2 mm 3 in	25°	36.5 mm 1.44 in	111 mm 4.38 in	9.65 mm 0.38 in	61.9 mm 2.44 in	19 mm 0.75 in	216 mm 8.5 in	1.4 kg 3 lb



Top Sheath Fork

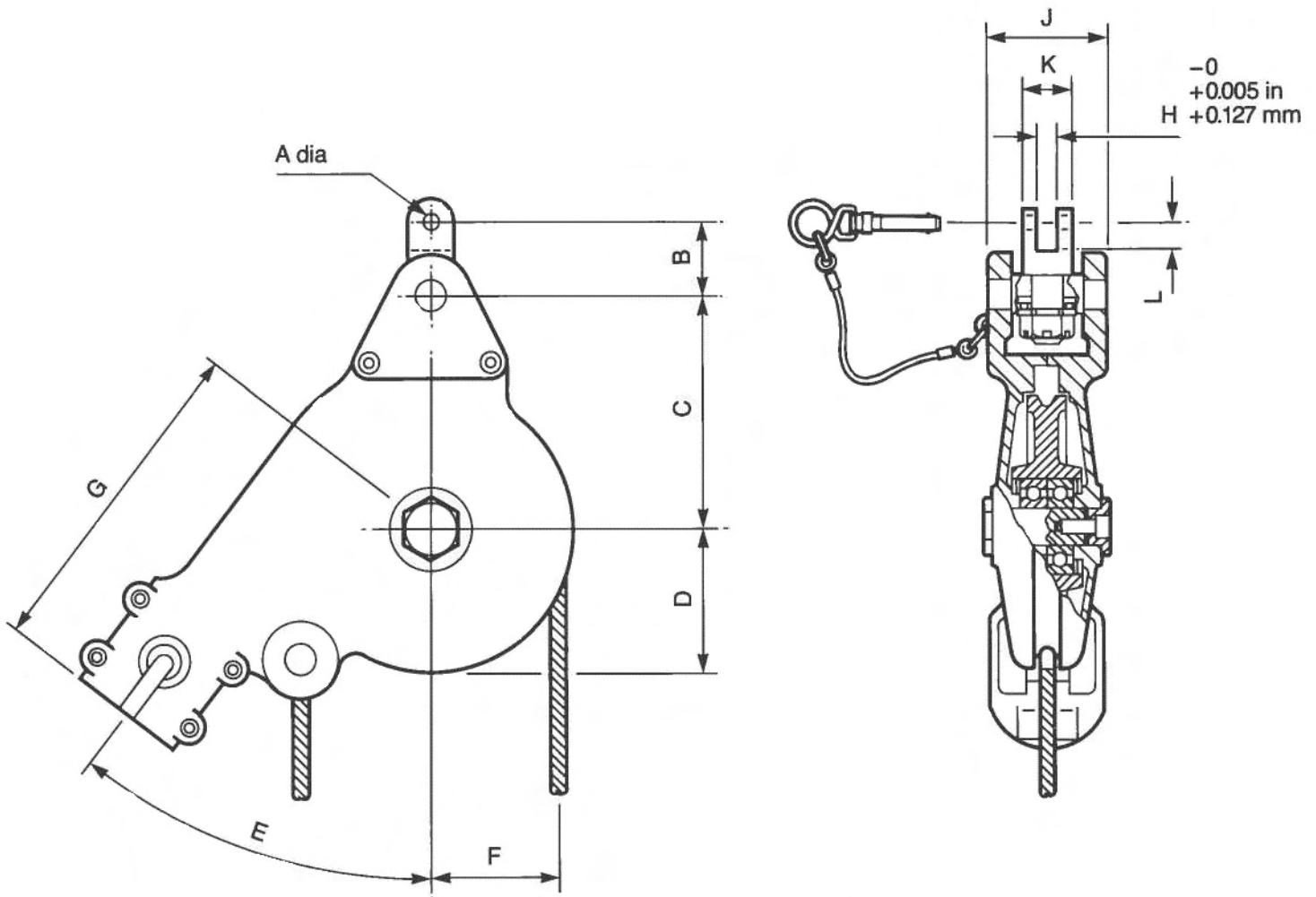


SPECIFICATION

Code No.	Capacity		A	B	C	D	E	F	G	H	J	K	L	Cable Length	Weight
	Single fall	Double fall													
43/192	508 kg 1120 lb	1016 kg 2240 lb	9.53 mm 0.375 in	38 mm 1.5 in	114 mm 4.5 in	63.5 mm 2.5 in	25°	53.6 mm 2.11 in	159 mm 6.25 in	9.65 mm 0.38 in	66 mm 2.6 in	19 mm 0.75 in	19 mm 0.75 in	260 mm 10.25 in	2.8 kg 6.15 lb



Top Sheath Fork

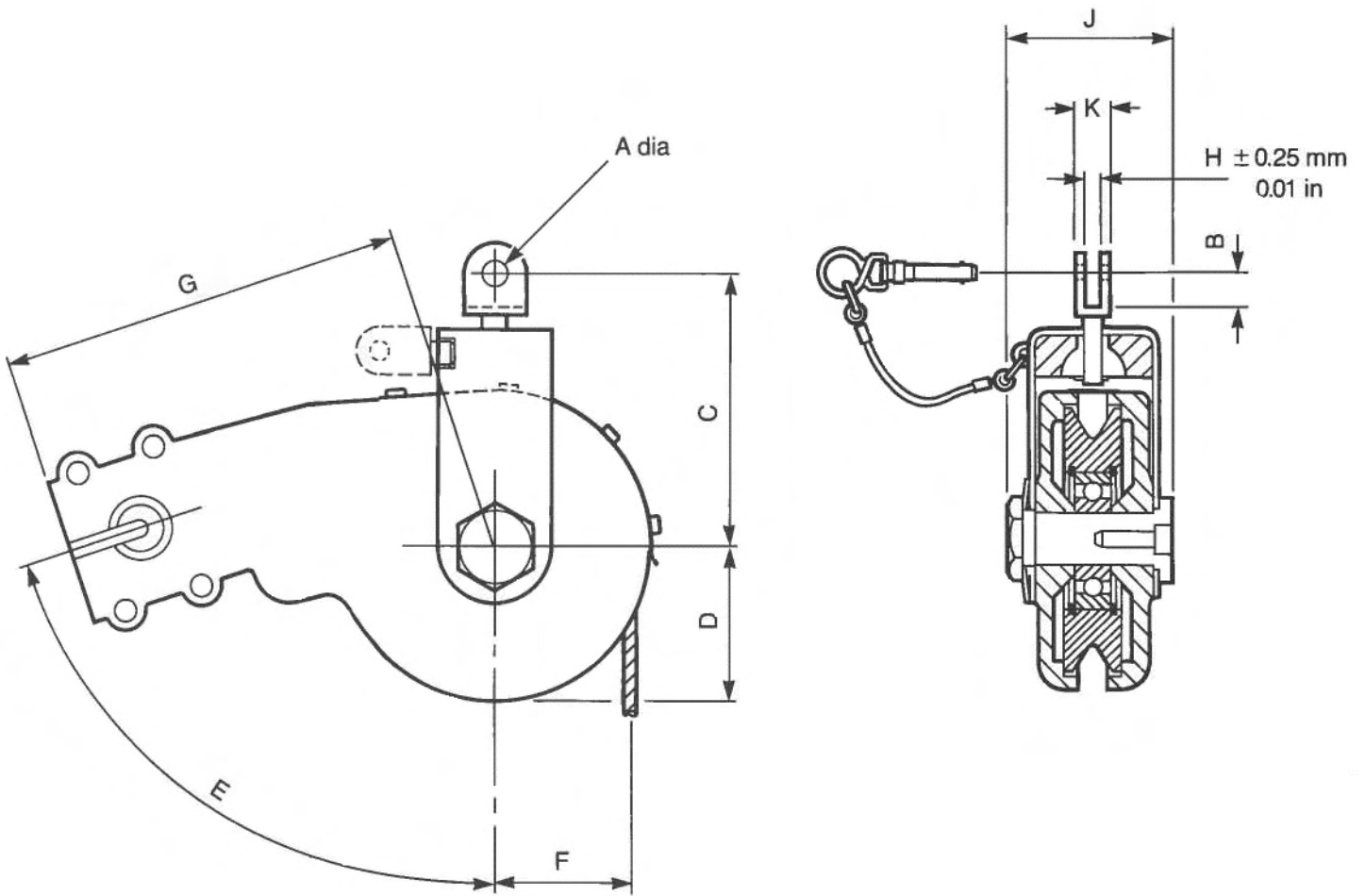


SPECIFICATION

Code No.	Capacity		A	B	C	D	E	F	G	H	J	K	L	Cable Length	Weight
	Single fall	Double fall													
43/931	508 kg 1120 lb	1016 kg 2240 lb	9.53 mm 0.375 in	38 mm 1.5 in	114 mm 4.5 in	63.5 mm 2.5 in	25°	53.6 mm 2.11 in	159 mm 6.25 in	965 mm 0.38 in	66 mm 2.6 in	19 mm 0.75 in	28.6mm 1.125 in	260 mm 10.25 in	2.8 kg 6.15 lb



Top Sheath Fork

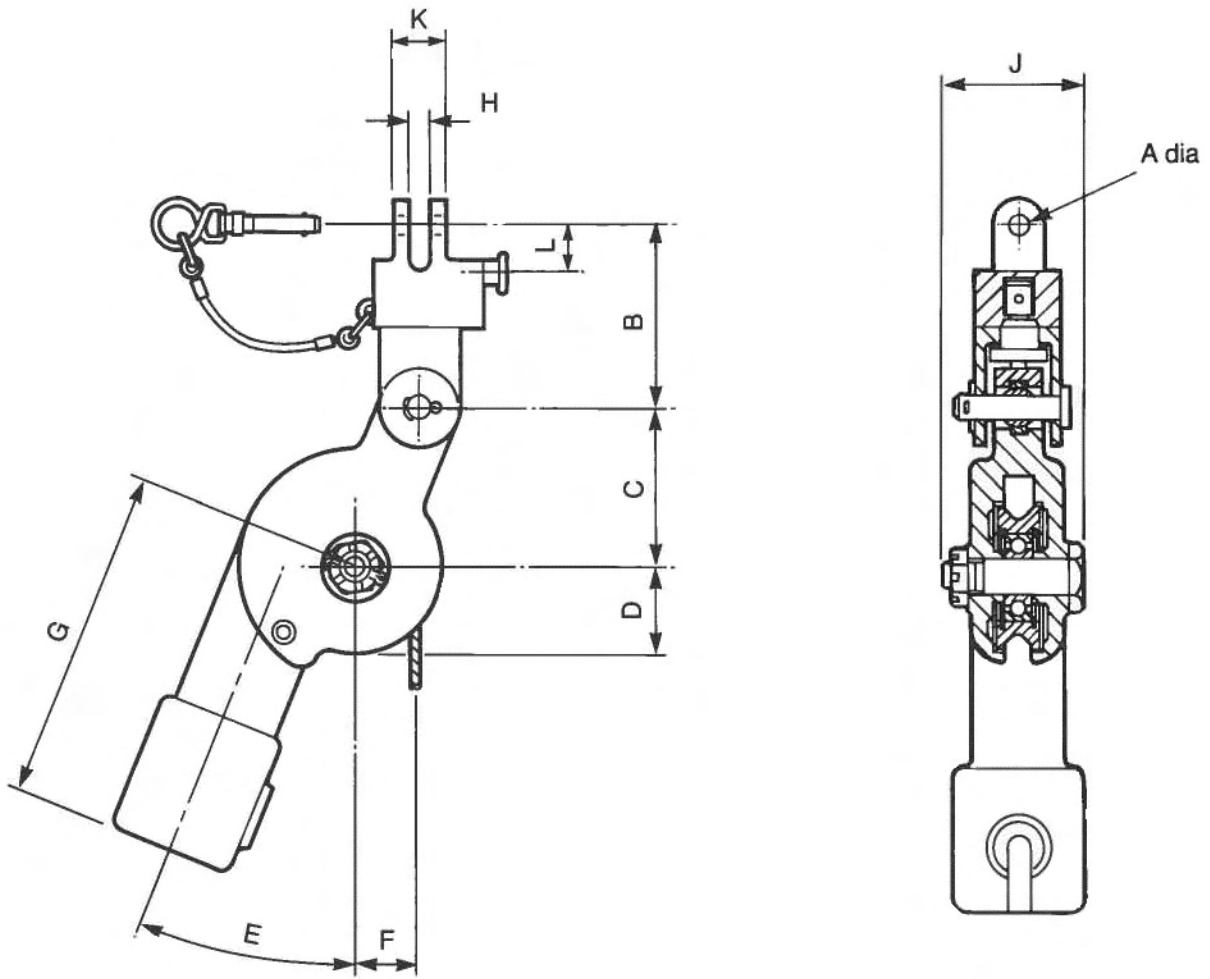


SPECIFICATION

Code No.	Capacity	A	B	C	D	E	F	G	H	J	K	Cable Length	Weight
43/978	508 kg 1120 lb	6.35 mm 0.25 in	11 mm 0.43 in	110.5 mm 4.35 in	62 mm 2.44 in	75°	45.7 mm 1.8 in	159 mm 6.25 in	6.3 mm 0.248 in	71 mm 2.8 in	17 mm 0.7 in	260 mm 10.25 in	2.7 kg 6.0 lb



Top Sheath Fork



SPECIFICATION

Code No.	Capacity	A	B	C	D	E	F	G	H	J	K	L	Cable Length	Weight
91/269	254 kg 560 lb	7.94 mm 0.3125 ins	72.5 mm 2.85 in	66.7 mm 2.625 in	34 mm 1.34 in	0°—90°	25 mm 0.99 in	133 mm 5.25 in	8.1 mm 0.319 in	54 mm 2.125 in	20 mm 0.79 in	18.5 mm 0.73 in	216 mm 8.5 in	1.9 kg 4.2 lb