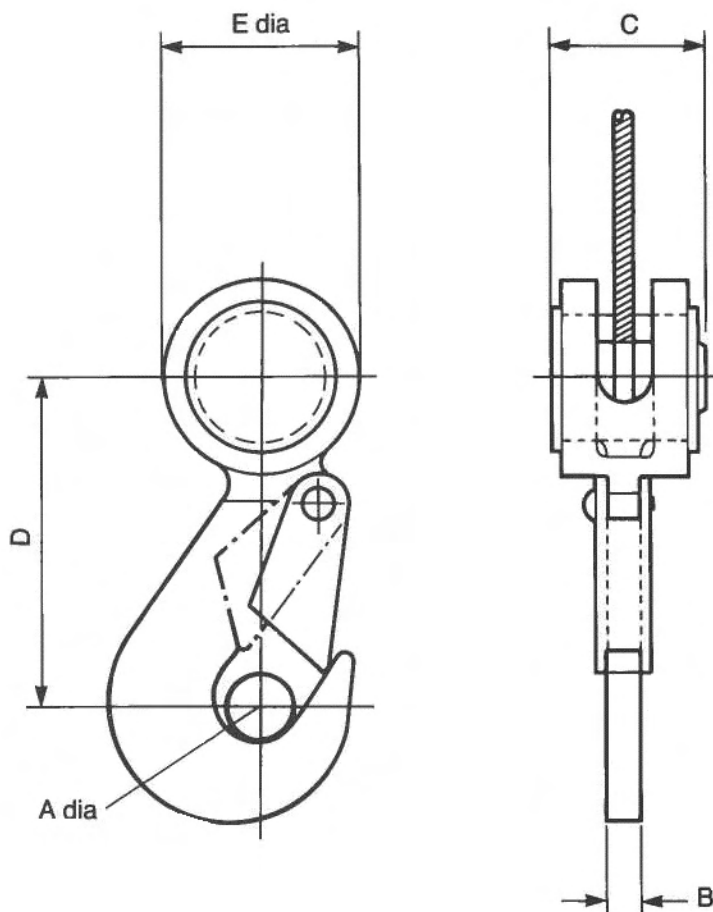




Detachable Hook



SPECIFICATION

Code No.	Capacity	A	B	C	D	E	Cable length within hook	Weight
41/76	127/254 kg 280/560 lb	12.7 mm .5 in	6.4 mm .25 in	26 mm 1.03 in	30 mm 2.188 in	33 mm 1.3 in	28.6 mm 1.125 in	0.17 kg 0.37 lbs
43/53	508 kg 1120 lb	19 mm .75 in	11 mm .438 in	31.8 mm 1.25 in	81 mm 3.188 in	36.5 mm 1.438 in	35 mm 1.375 in	0.45 kg 1 lb
43/143	508 kg 1120 lb	25.4 mm 1 in	12.7 mm .5 in	31.8 mm 1.25 in	89 mm 3.5 in	38 mm 1.5 in	35 mm 1.375 in	0.59 kg 1.3 lbs
54/97	914 kg 2016 lb	20.6 mm .813 in	11 mm .438 in	31.8 mm 1.25 in	85.7 mm 3.375 in	38 mm 1.5 in	41 mm 1.625 in	0.79 kg 1.75 lbs
44/55	1270 kg 2800 lb	25.4 mm 1 in	12.7 mm .5 in	41 mm 1.625 in	108 mm 4.25 in	44.5 mm 1.75 in	50.8 mm 2 in	0.9 kg 2 lbs
44/125	1270 kg 2800 lb	28.6 mm 1.125 in	12.7 mm .5 in	41 mm 1.625 in	110 mm 4.375 in	44.5 mm 1.75 in	50.8 mm 2 in	1 kg 2.3 lbs