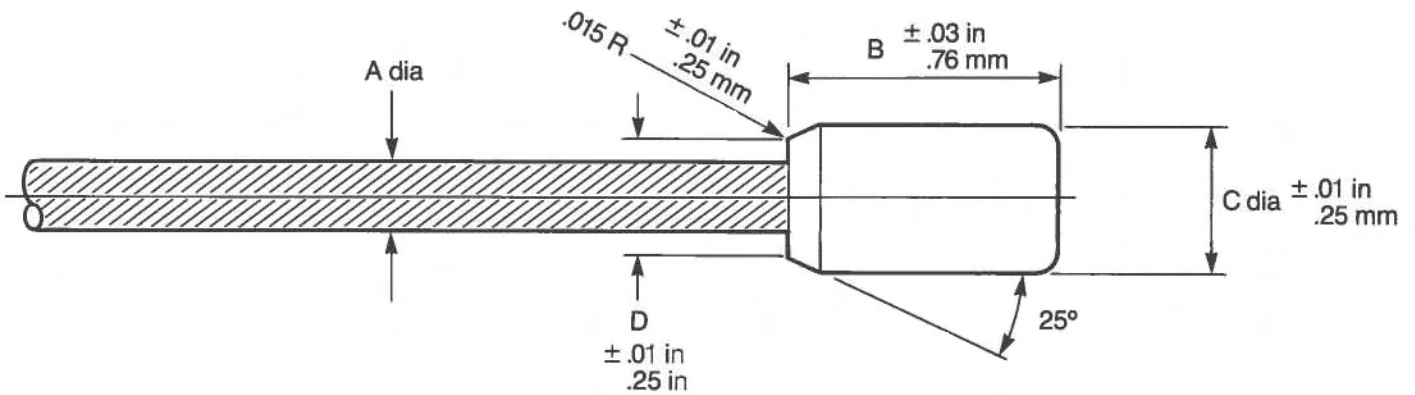




# Cable Assemblies



## SPECIFICATION

Hoist Series	U.D.L.	A	B	C	D	Min. Cable Rad.
<b>41</b>	508 kg 1120 lb	2.79/2.87 mm .110/.113 in	14.27 mm .562 in	9.5 mm .375 in	8.2 mm .323 in	28.6 mm 1.125 in
<b>60</b>	508 kg 1120 lb	2.79/2.87 mm .110/.113 in	14.27 mm .562 in	9.5 mm .375 in	8.2 mm .323 in	28.6 mm 1.125 in
<b>42</b>	1016 kg 2240 lb	3.96/4.0 mm .156/.159 in	16.5 mm .650 in	9.5 mm .375 in	8.2 mm .323 in	34 mm 1.343 in
<b>43</b>	2286 kg 5040 lb	5.69/5.8 mm .224/.229 in	23.8 mm .937 in	12.7 mm .5 in	11.76 mm .463 in	50.8 mm 2.0 in
<b>91/17</b>	1000 kg 2205 lb	4.0/4.2 mm .157/.165 in	16.5 mm .65 in	9.5 mm .375 in	8.2 mm .323 in	34 mm 1.343 in
<b>91/16</b>	2000 kg 4409 lb	5.0/5.25 mm .197/.207 in	22.75 mm .896 in	12.7 mm .5 in	11.76 mm .463 in	42.9 mm 1.688 in
<b>54</b>	3658 kg 8064 lb	7.1/7.24 mm .280/.285 in	28.57 mm 1.125 in	12.7 mm .5 in	11.76 mm .463 in	63.5 mm 2.5 in
<b>44</b>	5080 kg 11200 lb	7.87/8.0 mm .310/.315 in	36.5 mm 1.437 in	15.87 mm .625 in	14.94 mm .588 in	63.5 mm 2.5 in