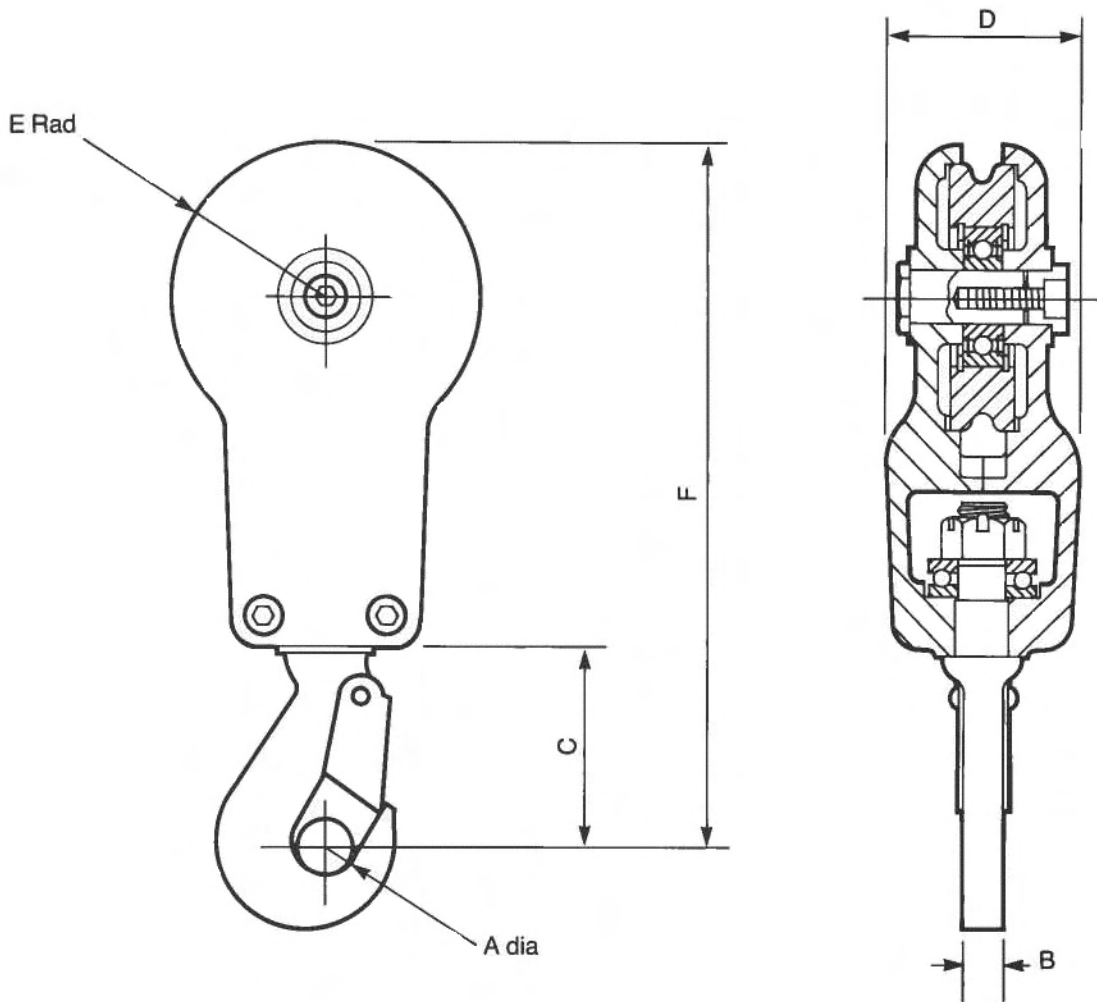




Bottom Sheath Hook

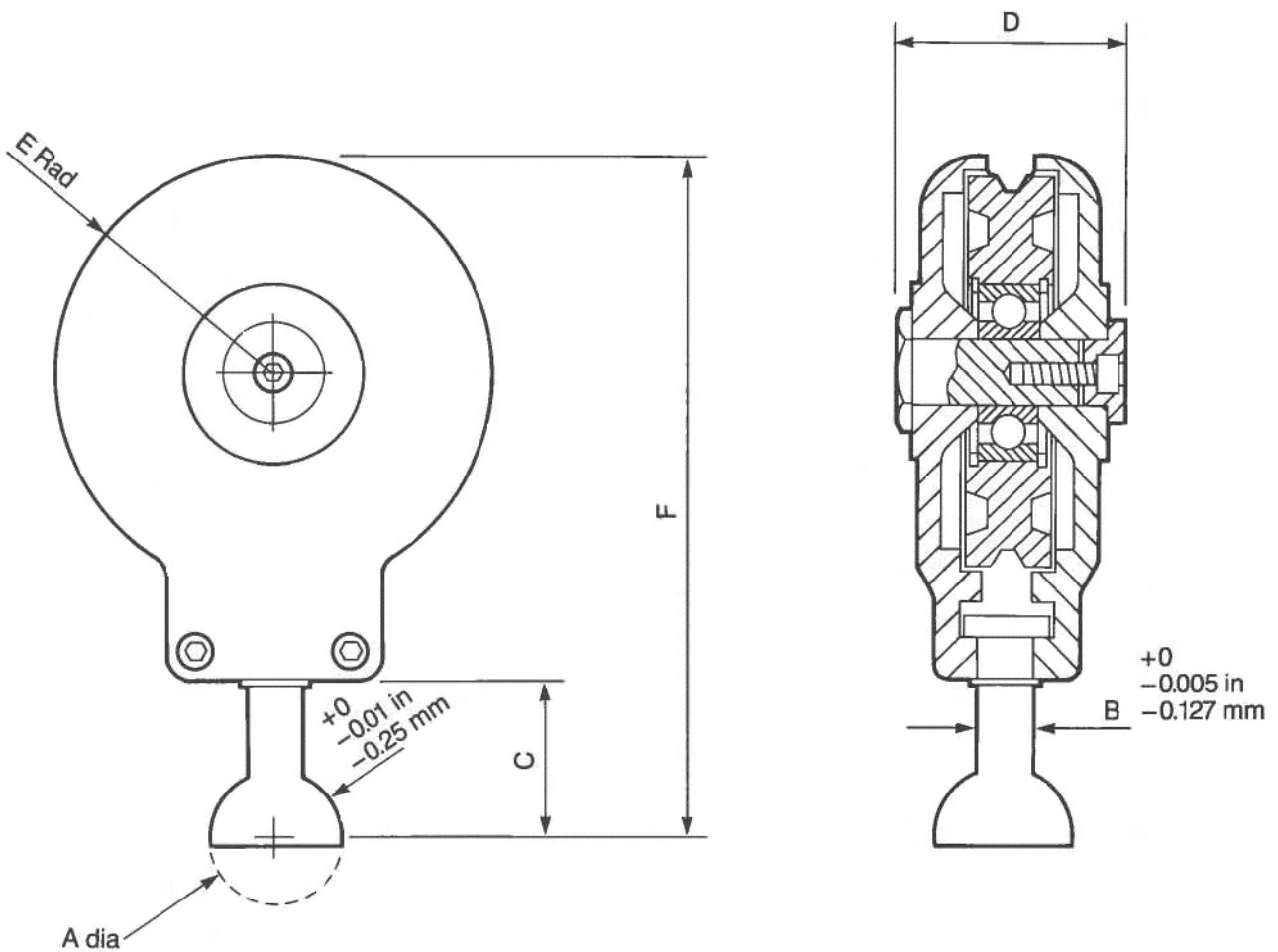


SPECIFICATION

Code No.	Capacity	A	B	C	D	E	F	Cable Length	Weight
41/64	254 kg 560 lb	13 mm 0.5 in	6.4 mm 0.25 in	44.5 mm 1.75 in	48 mm 1.875 in	36.5 mm 1.44 in	167 mm 6.56 in	172 mm 6.75 in	0.7 kg 1.56 lb
42/37	508 kg 1120 lb	13 mm 0.5 in	6.4 mm 0.25 in	44.5 mm 1.75 in	48 mm 1.875 in	43 mm 1.69 in	181 mm 7.125 in	203 mm 8 in	0.96 kg 2.12 lb
43/114	1016 kg 2240 lb	19 mm 0.75 in	11.1 mm 0.438 in	59.5 mm 2.34 in	60.5 mm 2.375 in	62 mm 2.438 in	241 mm 9.5 in	292 mm 11.5 in	1.9 kg 4.25 lb
54/118	1828 kg 4032 lb	25 mm 1 in	13 mm 0.5 in	71.4 mm 2.8 in	67 mm 2.625 in	74 mm 2.9 in	277 mm 10.9 in	362 mm 14.25 in	2.5 kg 5.4 lb



Bottom Sheath Ball



SPECIFICATION

Code No.	Capacity	A	B	C	D	E	F	Cable Length	Weight
41/137	254 kg 560 lb	19.05 mm 0.75 in	9.525 mm 0.375 in	20.3 mm 0.8 in	41.5 mm 1.63 in	36.5 mm 1.44 in	117.5 mm 4.625 in	171.5 mm 6.75 in	0.73 kg 1.62 lb
42/64	508 kg 1120 lb	26.92 mm 1.06 in	12.7 mm 0.5 in	34.9 mm 1.375 in	48 mm 1.88 in	43 mm 1.69 in	146 mm 5.75 in	203 mm 8 in	0.9 kg 2.0 lb
43/89	1016 kg 2240 lb	38.1 mm 1.5 in	15.85 mm 0.624 in	44.5 mm 1.75 in	65 mm 2.56 in	62 mm 2.44 in	194 mm 7.625 in	292 mm 11.5 in	1.7 kg 3.75 lb