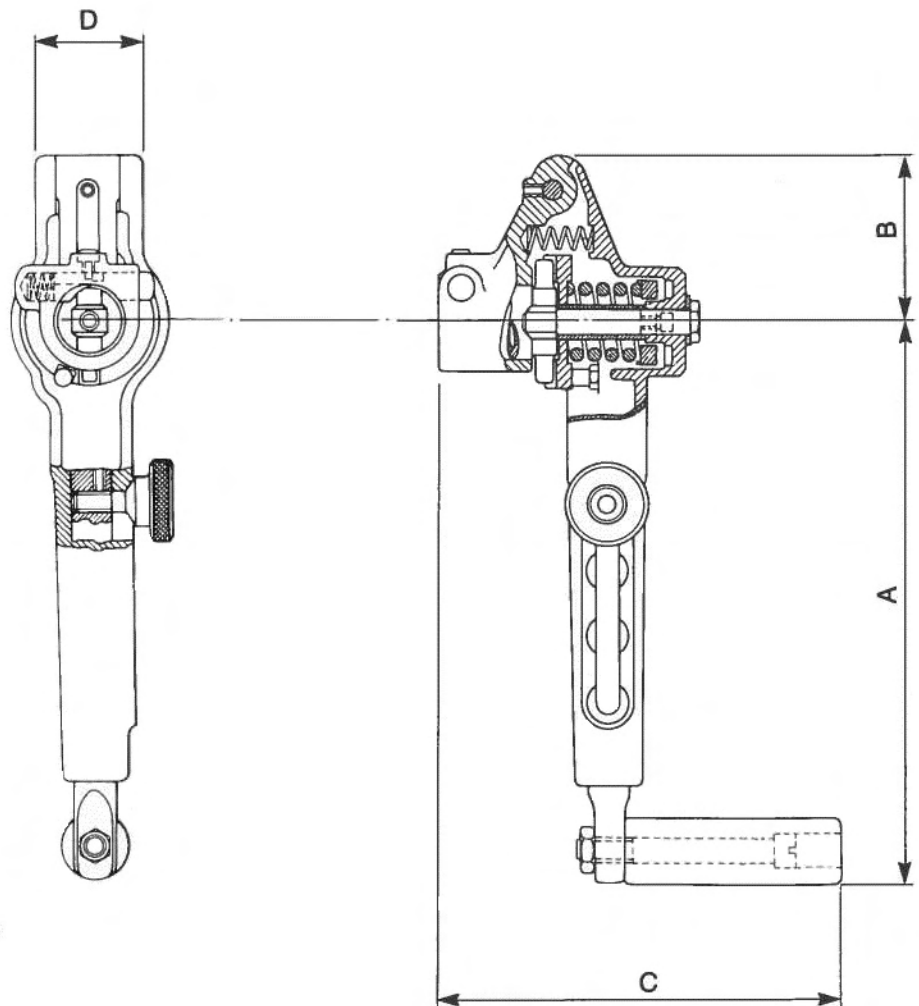




# Adjustable Winding Handle



## SPECIFICATION

Code No.	Working Load		Max	A		B	C	D	Wt	Used with Hoist Number
	at 280 mm (11) Rad	at 208 mm (8) Rad		Min						
<b>54/77</b>	6.0 kg 13.2 lb	8.2 kg 18.2 lb	292 mm 11.5 in	216 mm 8.5 in	63.5 mm 2.5 in	152.4 mm 6 in	60.3 mm 2.37 in	1.0 kg 2.2 lb	<b>54/75</b>	