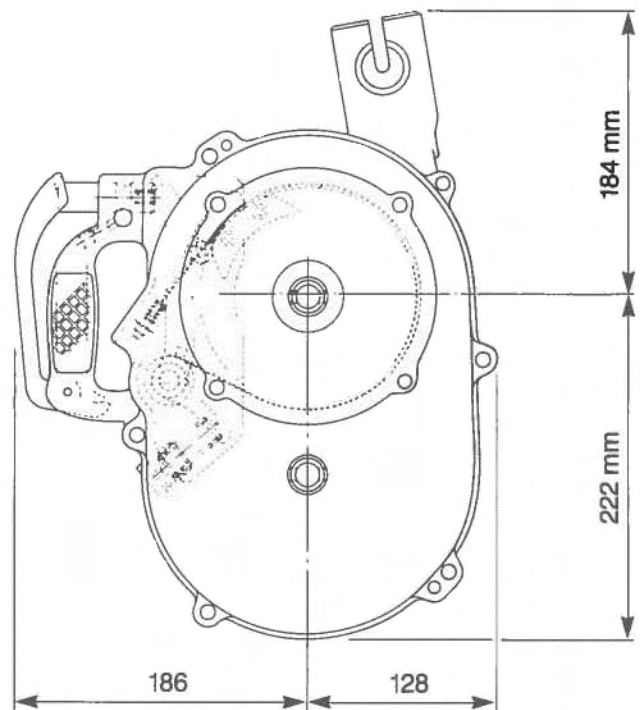
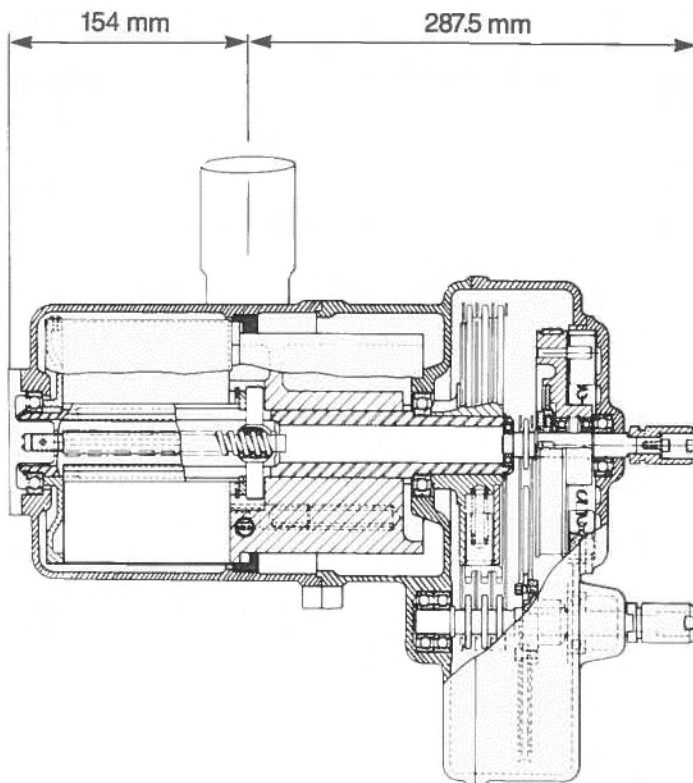




# 91 Series Winding Mechanism

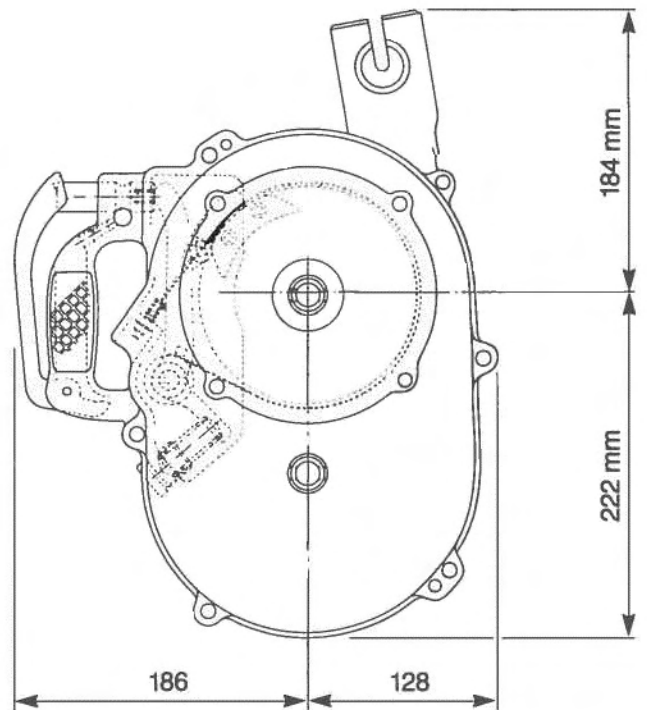
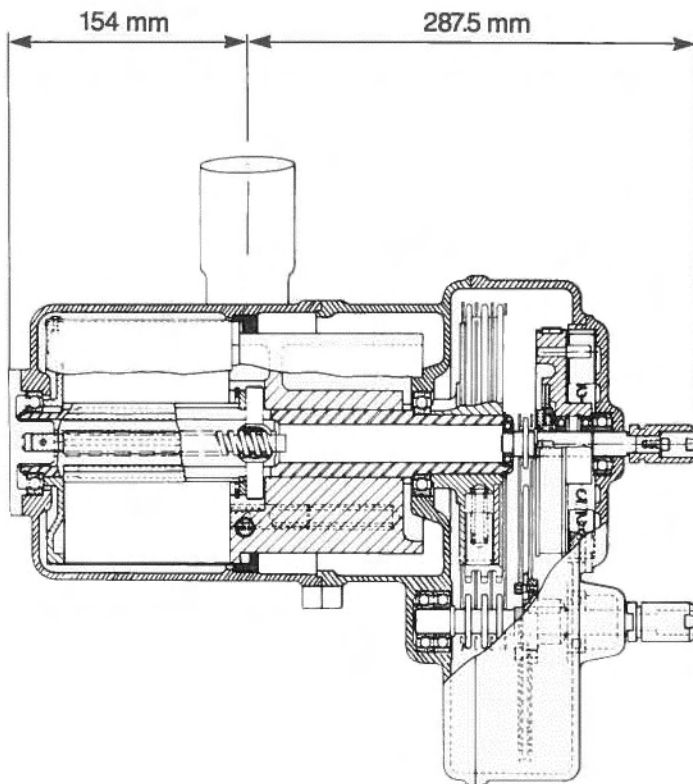


## SPECIFICATION

Code No.	Factor of Safety	Capacity		Maximum Cable Extension	Lift Per Rev. of Handle		Maximum Load Fast Shaft	Governor Controlled Speed of Descent		Weight
		Single Fall	Double Fall		Fast Shaft	Slow Shaft		Single Fall	Double Fall	
<b>91/17</b>	4:1	250 kg 550 lb	500 kg 1100 lb	11800 mm 38 ft 8 in	73 mm 2.9 in	13 mm 0.5 in	38 kg 84 lbs	112 mm/s 4.4 in/s	56 mm/s 2.2 in/s	21 kg 47 lbs



# 91 Series Winding Mechanism



## SPECIFICATION

Code No.	Factor of Safety	Capacity		Maximum Cable Extension	Lift Per Rev. of Handle		Maximum Load Fast Shaft	Governor Controlled Speed of Descent		Weight
		Single Fall	Double Fall		Fast Shaft	Slow Shaft		Single Fall	Double Fall	
<b>91/16</b>	4:1	500 kg 1100 lb	1000 kg 2200 lb	9400 mm 30 ft 10 in	70 mm 2.75 in	16 mm 0.6 in	70 kg 154 lbs	112 mm/s 4.4 in/s	56 mm/s 2.2 in/s	21 kg 47 lbs