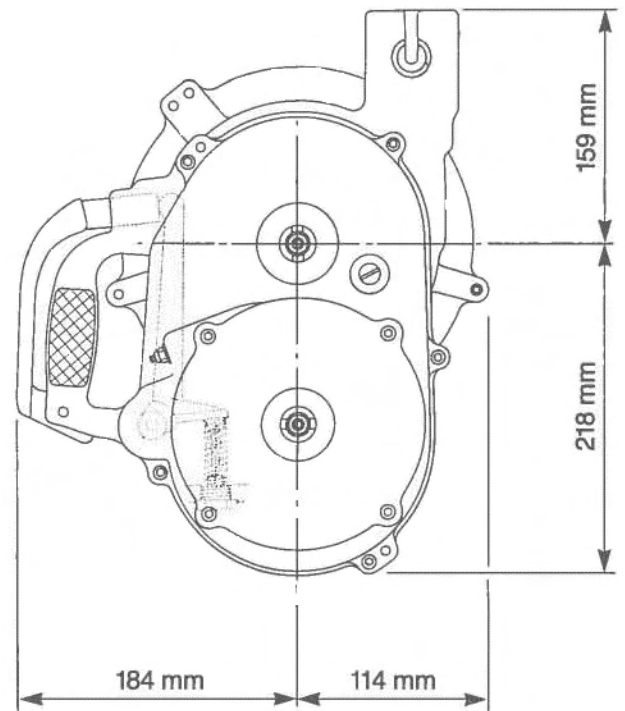
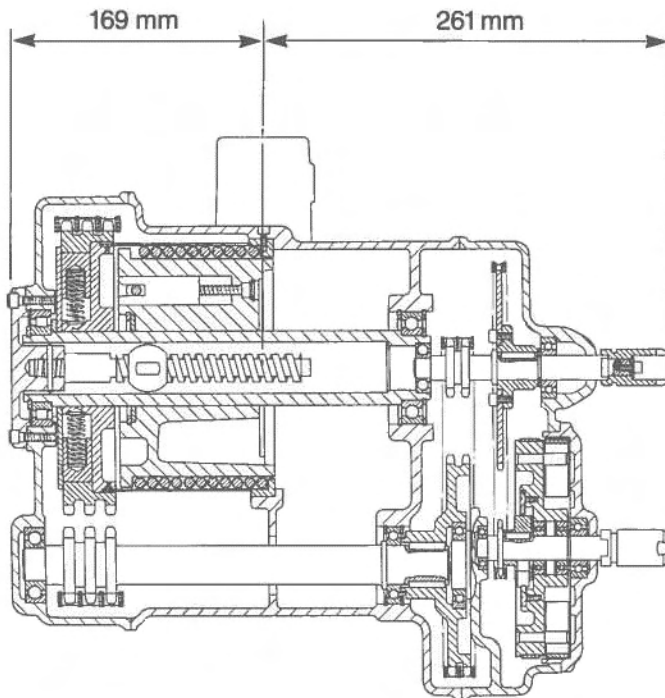




44 Series Winding Mechanism



SPECIFICATION

Code No.	Factor of Safety	Capacity		Maximum Cable Extension	Lift per Rev of Handle		Maximum Load Fast Shaft	Governor Controlled Speed of Descent		Weight
		Single Fall	Double Fall		Fast Shaft	Slow Shaft		Single Fall	Double Fall	
44/80	4:1	1270 kg 2800 lb	— —	4800 mm 15 ft 9 in	27 mm 1.06 in	5.5 mm 0.22 in	260 kg 573 lb	51 mm/s 2 in/s	— —	26.3 kg 58 lb