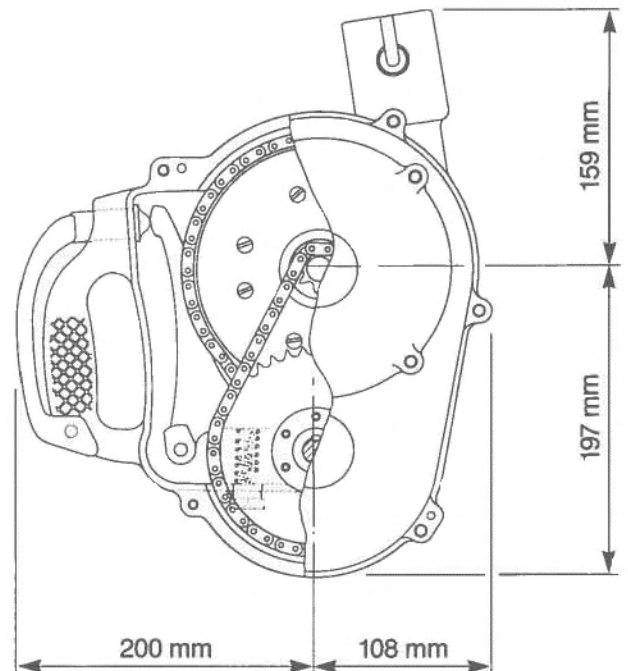
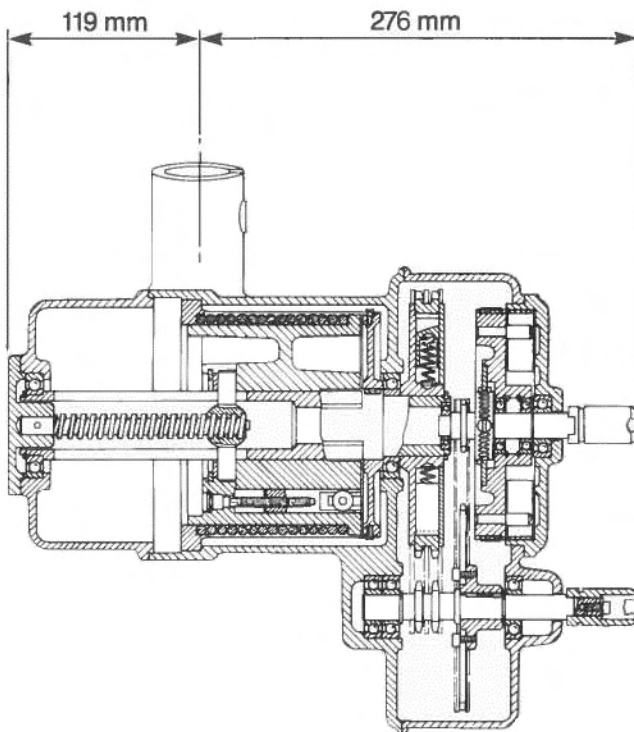




43 Series Winding Mechanism



SPECIFICATION

Code No.	Factor of Safety	Capacity		Maximum Cable Extension	Lift per Rev of Handle		Maximum Load Fast Shaft	Governor Controlled Speed of Descent		Weight
		Single Fall	Double Fall		Fast Shaft	Slow Shaft		Single Fall	Double Fall	
43/1	4:1	508 kg 1120 lb	1016 kg 2240 lb	6628 mm 21 ft 9 in	69 mm 2.7 in	14.7 mm 0.58 in	109 kg 240 lb	203 mm/s 8 in/s	102 mm/s 4 in/s	18.6 kg 41 lb
43/159	4:1	508 kg 1120 lb	Hoist (43/1) fitted with Brake Release Safety Latch							