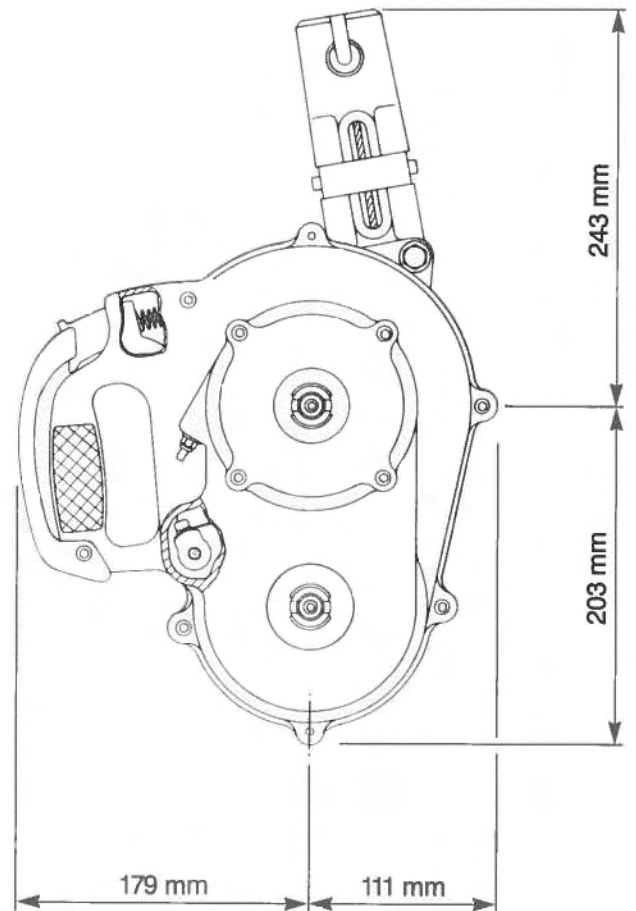
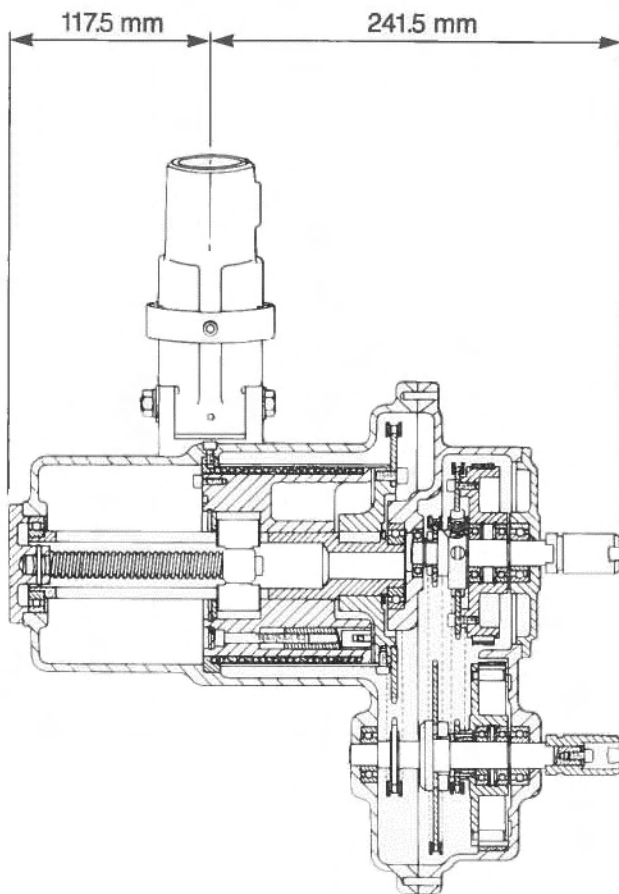




42 Series Winding Mechanism



SPECIFICATION

Code No.	Factor of Safety	Capacity		Maximum Extension	Lift per Rev of Handle		Maximum Load Fast Shaft	Governor Controlled Speed of Descent		Weight
		Single Fall	Double Fall		Fast Shaft	Slow Shaft		Single Fall	Double Fall	
42/1	4:1	254 kg 560 lb	508 kg 1120 lb	7518 mm 24 ft 8 in	86 mm 3.4 in	28 mm 1.1 in	83 kg 182 lb	305 mm/s 12 in/s	152 mm/s 6 in/s	12.7 kg 28 lb