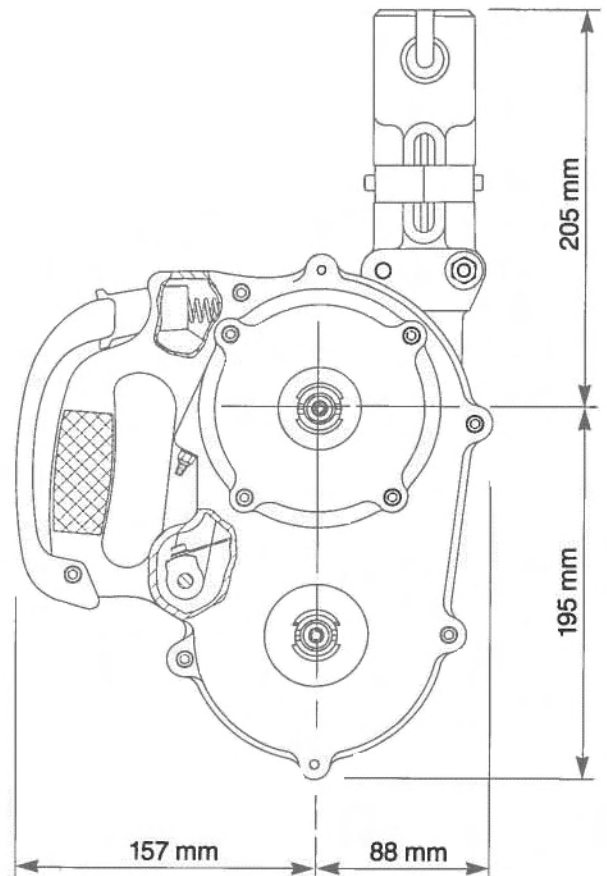
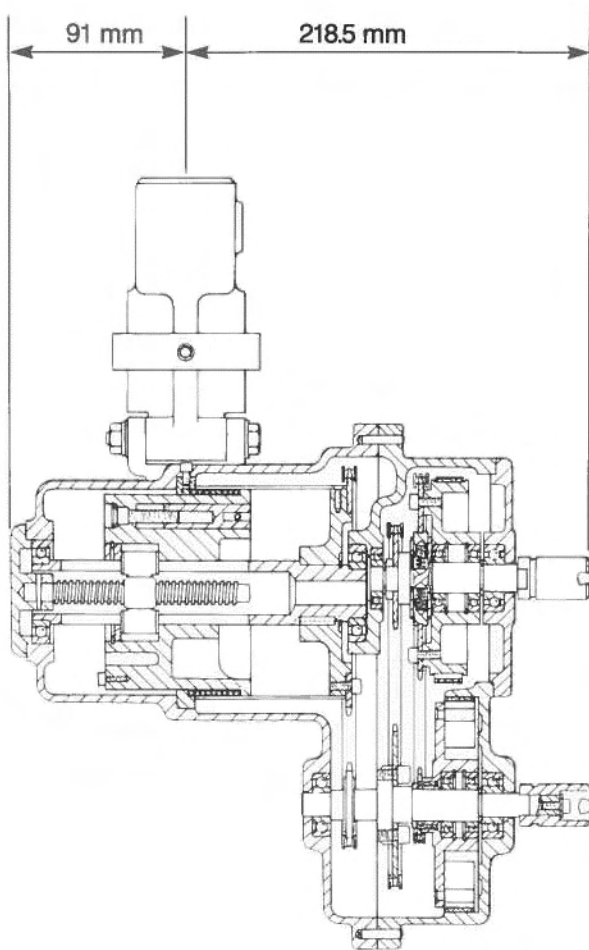




# 41 Series Winding Mechanism



## SPECIFICATION

Code No.	Factor of Safety	Capacity		Maximum Cable Extension	Lift per Rev of Handle		Maximum Load Fast Shaft	Governor Controlled Speed of Descent		Weight
		Single Fall	Double Fall		Fast Shaft	Slow Shaft		Single Fall	Double Fall	
<b>41/5</b>	4:1	127 kg 280 lb	254 kg 560 lb	7543 mm 24 ft 9 in	103 mm 4.1 in	55.5 mm 2.2 in	68.4 kg 151 lb	381 mm/s 15 in/s	191 mm/s 7.5 in/s	10 kg 22 lb