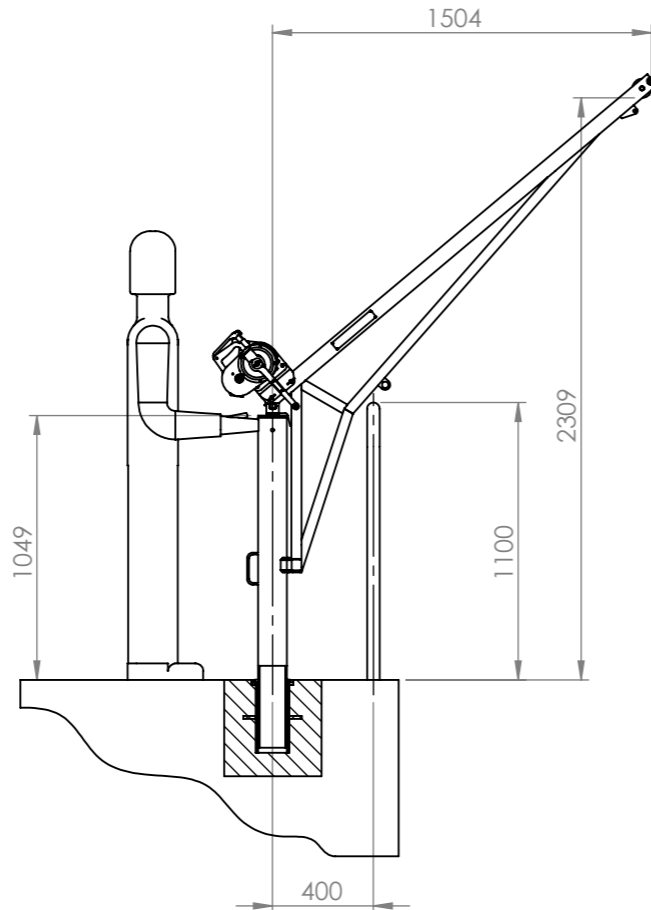
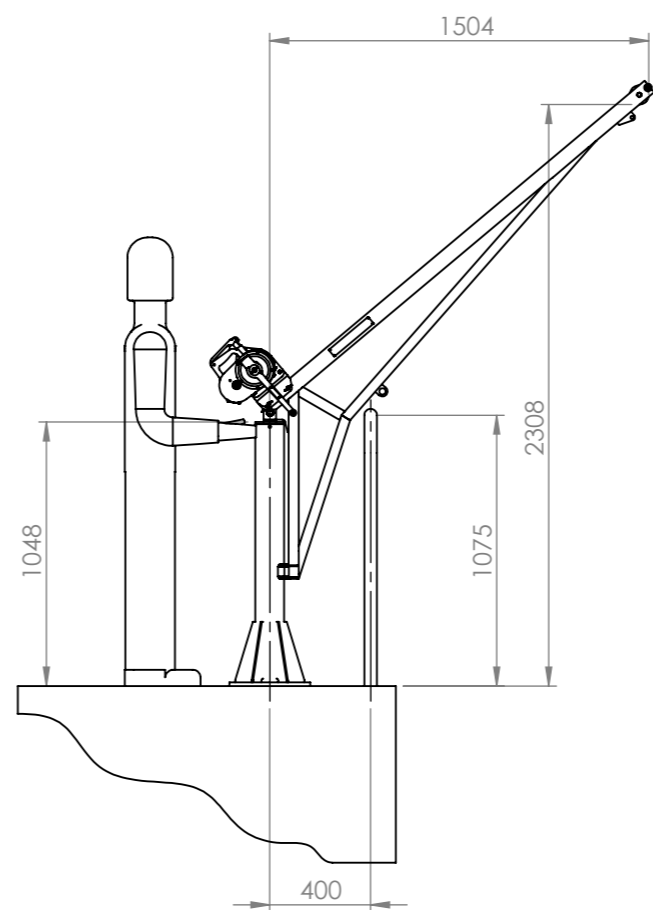


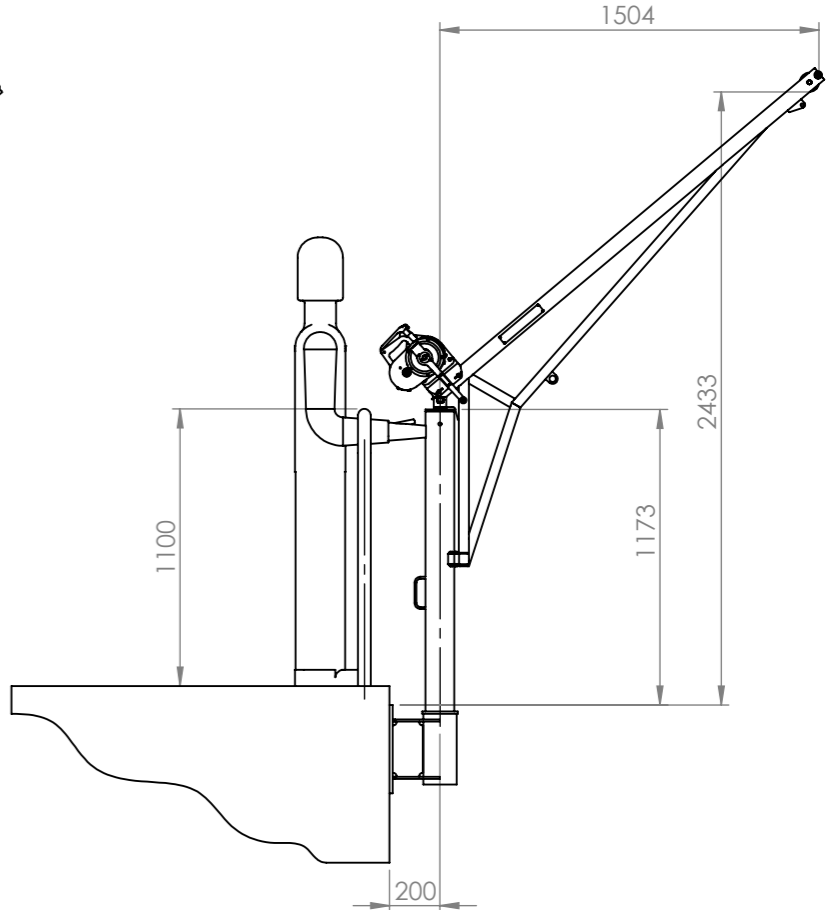
PART No.	DESCRIPTION	WEIGHT Kg
81-1242T1.5	1.5M DAVIT JIB ASSEMBLY	19.94
81-1243T1	FLOOR MOUNT SOCKET PILLAR	18.02
81-1244	FLOOR MOUNT SOCKET	18.13
81-1248T1	CONNECTION BRACKET ASSEMBLY	0.77
83-35T6	OPEN DRUM HOIST - 15M	18.00



PART No.	DESCRIPTION	WEIGHT Kg
81-1242T1.5	1.5M DAVIT JIB ASSEMBLY	19.94
81-1243T2	FLUSH MOUNT SOCKET PILLAR	22.85
81-1245	FLUSH MOUNT SOCKET	8.28
81-1248T1	CONNECTION BRACKET ASSEMBLY	0.77
83-35T6	OPEN DRUM HOIST - 15M	18.00



PART No.	DESCRIPTION	WEIGHT Kg
81-1242T1.5	1.5M DAVIT JIB ASSEMBLY	19.94
81-1247	FLOOR MOUNT PILLAR	29.28
81-1248T1	CONNECTION BRACKET ASSEMBLY	0.77
83-35T6	OPEN DRUM HOIST - 15M	18.00



PART No.	DESCRIPTION	WEIGHT Kg
81-1242T1.5	1.5M DAVIT JIB ASSEMBLY	19.94
81-1243T3	WALL MOUNT SOCKET PILLAR	25.35
81-1246	WALL MOUNT SOCKET	21.99
81-1248T1	CONNECTION BRACKET ASSEMBLY	0.77
83-35T6	OPEN DRUM HOIST - 15M	18.00

MATERIAL:	FINISH:	PROJECT: <b>ANGLED DAVIT SYSTEM</b>	PROJECT No: <b>607</b>
DEBUR AND BREAK ALL SHARP EDGES UNLESS OTHERWISE SPECIFIED: DIMENSIONS IN MILLIMETERS SURFACE FINISH: N8 TOLERANCES: to BSEN 22768, LINEAR: MACHINED PARTS M, FABRICATED PARTS C. ANGULAR: MACHINED PARTS M, FABRICATED PARTS C. LIMITS + FITS :to BS4500 . SURFACE FINISH TO BS1134 ANY DEVIATIONS TO BE APPROVED BY : INTERNAL CONCESSION FORM DH37 EXTERNAL : SUPPLIERS STD CONCESSION FORM		DESC: <b>1.5M DAVIT OPTION - 330Kg</b>	
		DWG NO. ENQ 607-003	NAME DATE DRAWN ADB 21/01/11 CHKD
		REVISION. 2	
		<b>Didsbury Engineering</b>	© COPYRIGHT RESERVED
		Lower Meadow Road, Brooke Park, Handforth, Wilmslow, Cheshire, SK9 3LP. Tel 0161 486 2200 Fax 0161 486 2211 E-Mail Sales@didsbury.com	<b>A3</b>

REV	AMENDMENT DESCRIPTION	REV BY	DATE	CHKD	ECD
2	SWL REDUCED TO 330Kg FROM 500Kg	MWB	10/10/16	ADB	570

