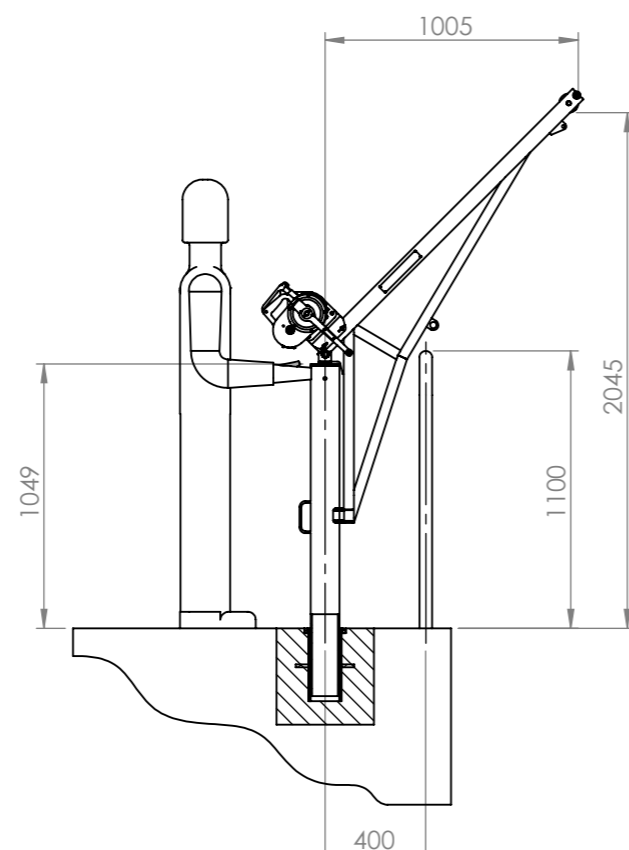
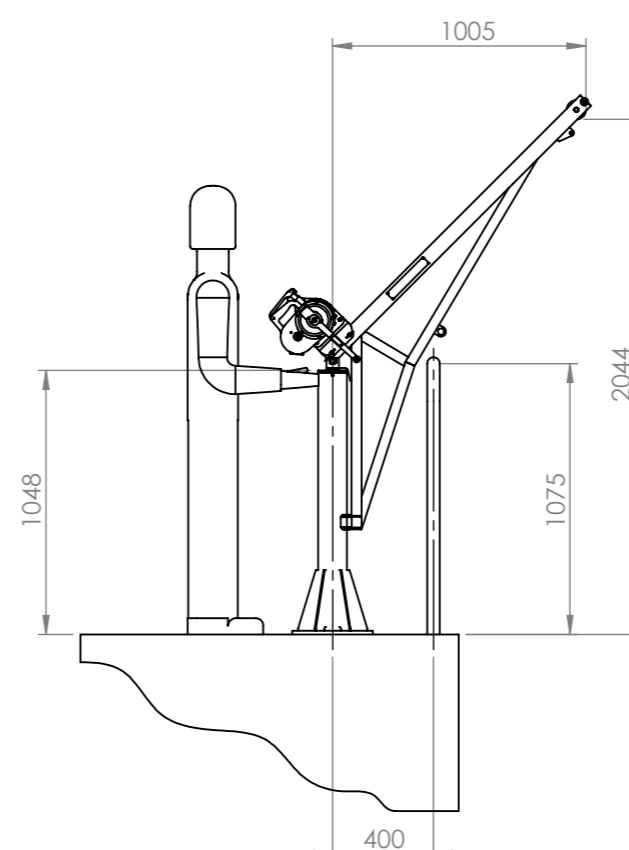


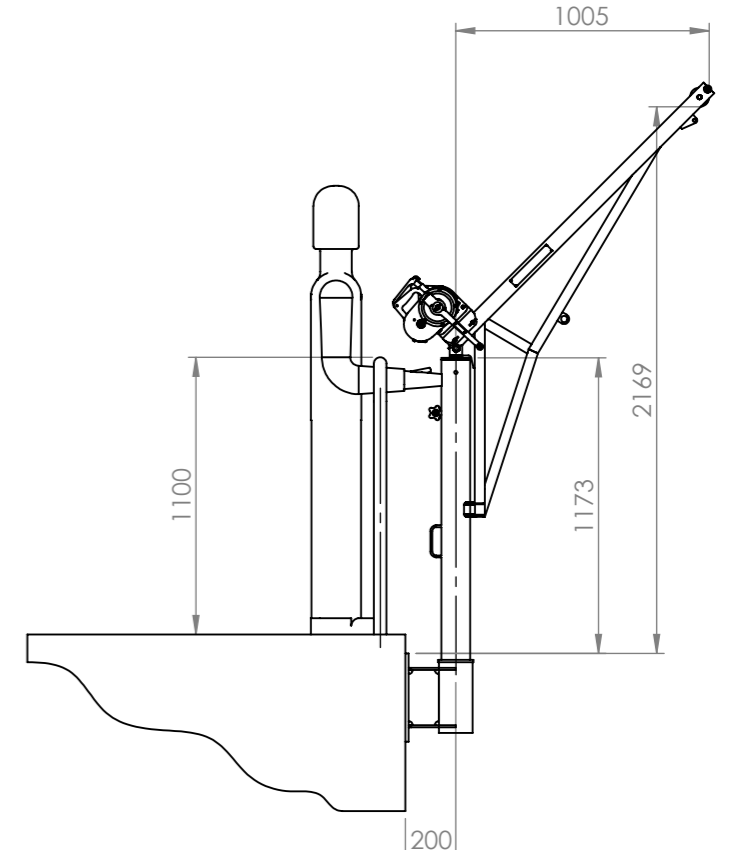
PART No.	DESCRIPTION	WEIGHT Kg
81-1242T1.0	1.0M DAVIT JIB ASSEMBLY	15.65
81-1243T1	FLOOR MOUNT SOCKET PILLAR	18.02
81-1244	FLOOR MOUNT SOCKET	18.13
81-1248T1	CONNECTION BRACKET ASSEMBLY	0.77
83-35T6	OPEN DRUM HOIST - 15M	18.00



PART No.	DESCRIPTION	WEIGHT Kg
81-1242T1.0	1.0M DAVIT JIB ASSEMBLY	15.65
81-1243T2	FLUSH MOUNT SOCKET PILLAR	22.85
81-1245	FLUSH MOUNT SOCKET	8.28
81-1248T1	CONNECTION BRACKET ASSEMBLY	0.77
83-35T6	OPEN DRUM HOIST - 15M	18.00



PART No.	DESCRIPTION	WEIGHT Kg
81-1242T1.0	1.0M DAVIT JIB ASSEMBLY	15.65
81-1247	FLOOR MOUNT PILLAR	29.28
81-1248T1	CONNECTION BRACKET ASSEMBLY	0.77
83-35T6	OPEN DRUM HOIST - 15M	18.00



PART No.	DESCRIPTION	WEIGHT Kg
81-1242T1.0	1.0M DAVIT JIB ASSEMBLY	15.65
81-1243T3	WALL MOUNT SOCKET PILLAR	25.35
81-1246	WALL MOUNT SOCKET	21.99
81-1248T1	CONNECTION BRACKET ASSEMBLY	0.77
83-35T6	OPEN DRUM HOIST - 15M	18.00

MATERIAL:	FINISH:	PROJECT: ANGLED DAVIT SYSTEM	PROJECT No: 607																
DEBUR AND BREAK ALL SHARP EDGES UNLESS OTHERWISE SPECIFIED: DIMENSIONS IN MILLIMETERS SURFACE FINISH: N8 TOLERANCES: to BSEN 22768, LINEAR: MACHINED PARTS M, FABRICATED PARTS C. ANGULAR: MACHINED PARTS M, FABRICATED PARTS C. LIMITS + FITS :to BS4500 . SURFACE FINISH TO BS1134 ANY DEVIATIONS TO BE APPROVED BY : INTERNAL CONCESSION FORM DH37 EXTERNAL : SUPPLIERS STD CONCESSION FORM		DESC: 1.0M DAVIT OPTION - SWL 500Kg																	
		DWG NO. ENQ 607-001 REVISION. 1	<table border="1"> <tr> <td>NAME</td> <td>DATE</td> </tr> <tr> <td>DRAWN ADB</td> <td>21/01/11</td> </tr> <tr> <td>CHKD</td> <td></td> </tr> </table>	NAME	DATE	DRAWN ADB	21/01/11	CHKD											
NAME	DATE																		
DRAWN ADB	21/01/11																		
CHKD																			
Didsbury Engineering Lower Meadow Road, Brooke Park, Handforth, Wilmslow, Cheshire, SK9 3LP. Tel 0161 486 2200 Fax 0161 486 2211 E-Mail Sales@didsbury.com		© COPYRIGHT RESERVED																	
<table border="1"> <thead> <tr> <th>REV</th> <th>AMENDMENT DESCRIPTION</th> <th>REV BY</th> <th>DATE</th> <th>CHKD</th> <th>ECR</th> </tr> </thead> <tbody> <tr> <td>1</td> <td></td> <td></td> <td></td> <td></td> <td></td> </tr> </tbody> </table>		REV	AMENDMENT DESCRIPTION	REV BY	DATE	CHKD	ECR	1						<table border="1"> <tr> <td colspan="2" style="text-align: center;"> THIRD ANGLE PROJECTION </td> <td colspan="2" style="text-align: right;"> A3 </td> </tr> </table>		THIRD ANGLE PROJECTION		A3	
REV	AMENDMENT DESCRIPTION	REV BY	DATE	CHKD	ECR														
1																			
THIRD ANGLE PROJECTION		A3																	
SCALE:1:30		SHEET 1 OF 1																	