

AIRCRAFT APPLICATION SHEET FOR: 91/536

HOIST KIT FOR A330/340 APU + THS ACTUATOR

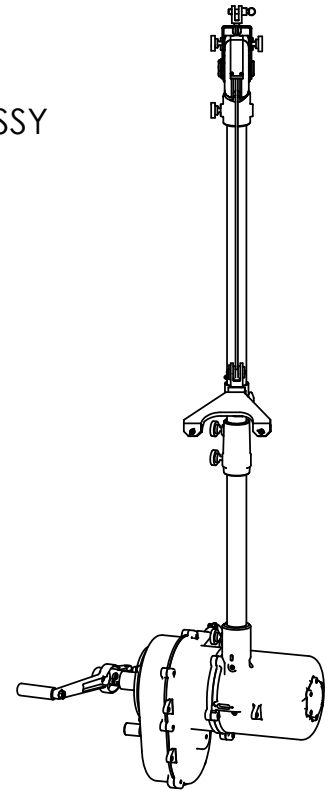
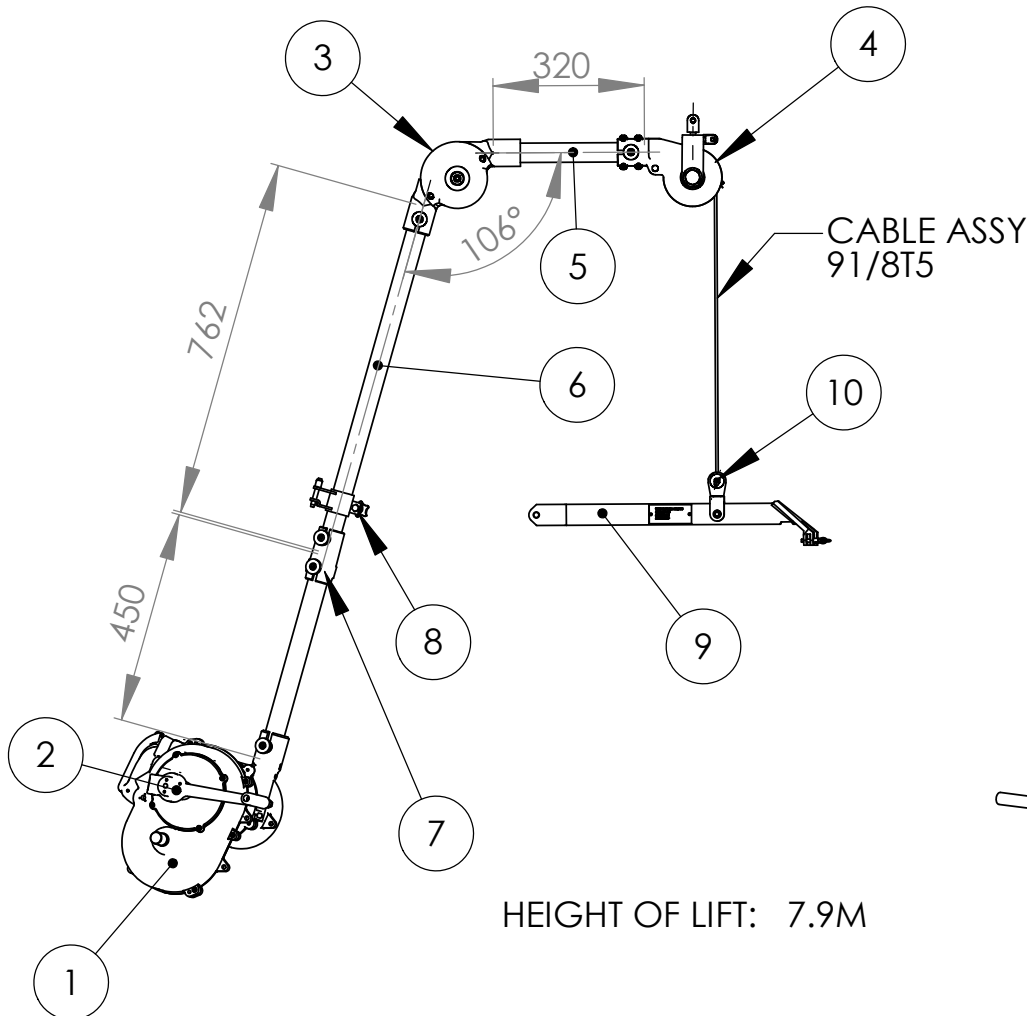
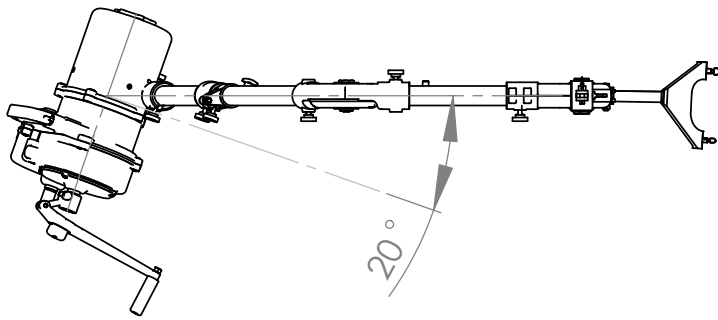


WORLD CLASS LIFTING AND HANDLING SOLUTIONS

Didsbury Engineering Co Ltd

Telephone: +44 (0)161 224 6224
 Facsimile: +44 (0)161 224 2098
 Email: sales@didsbury.com
 Web: www.didsbury.com

1	x1	91/263	WINDING MECHANISM (INCLUDES 91/126T2 450 MM)
2	x1	91/84	HANDLE ASSEMBLY
3	x1	43/336	ANGLE CHANGER
4	x1	43/978	TOP SHEATH ASSEMBLY
5	x1	43/1356	EXTENSION TUBE ASSEMBLY 320 MM (12.6 IN)
6	x1	43/1447	EXTENSION TUBE ASSEMBLY 762 MM (30 IN)
7	x1	43/136	TUBE COUPLING
8	x1	43/868	CLAMP SHELL ASSEMBLY
9	x1	91/535	APU LIFT BEAM
10	x1	43/1801	SHACKLE



HEIGHT OF LIFT: 7.9M

SWL: 500 kg

WEIGHT: 35 kg